



## Model 6500



### Model #

### Part #

6500-12V

650012

6500-24V

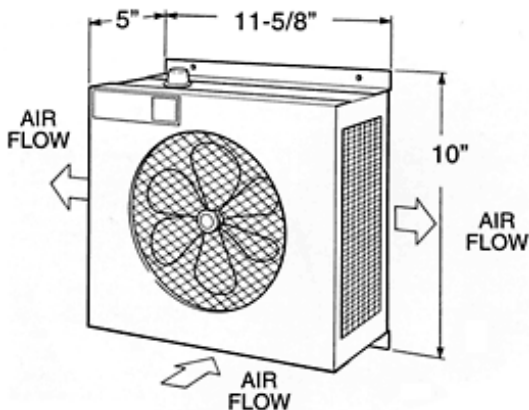
650024

### Features:

- Air Enters from the Grill; Warm Air Exits Through the Cores on Each Side
- Top and Bottom Rear Mounting Flanges with Side Hose Connections
- Shallow 5" Depth
- 3 Speed Rotary Fan Switch Mounted on Top of the Housing
- Designed for Applications with Water Pressure in Excess of 50 PSIG
- Optional Installation Kits:  
[64006, KT-12 Hose Kit \(150"\)](#)

### Service Parts:

Part Name	Part #
6500-12V Motor	62005
6500-24V Motor	62006
Core	61518
Fan Blade	53032
Cover Assembly	61518
Body Assembly	61517
Switch	61325



**Model No.** 6500

**Heating:** 20,000 btu/hr.

**Air Flow Heating:** 170 cfm

**Motor Speeds:** 3

**Power Requirements:** 5 amps @ 12 volts  
2.5 amps @ 24 volts

**Case Material:** 20 ga. c.r. Steel

**Core Material:** Tube and Fin

**Fan Material:** Aluminum

**Fittings:** Bead

**Dimensions:** Height: 10"  
Length: 11-5/8"  
Depth: 5"

Ross Air Works  
[www.rossairworks.com](http://www.rossairworks.com)  
 ph 800-290-9798  
 fx 800-956-2651  
[sales@rossairworks.com](mailto:sales@rossairworks.com)