

"BLOWS AWAY THE COMPETITION"



Models available...

EE100-0-12	A/C Only	12 Volt	
EE100-0-24	A/C Only	24 Volt	
EE100-1-12	HTR-A/C	12 Volt	
EE100-1-24	HTR-A/C	24 Volt	
EE100-4-12	HTR-A/C	12 Volt	STRAIGHT TXV
EE100-4-24	HTR-A/C	24 Volt	STRAIGHT TXV

Options Available...

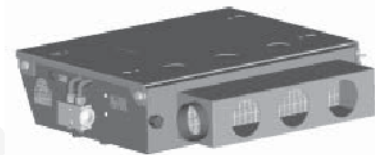
1746	Fresh Air Adapter
EE100-3	Heater Upgrade

The EE100 Compact Overhead system is compact and durable, while delivering a high level of operator comfort. Utilizing five outlets, airflow is superior to any unit in its class.

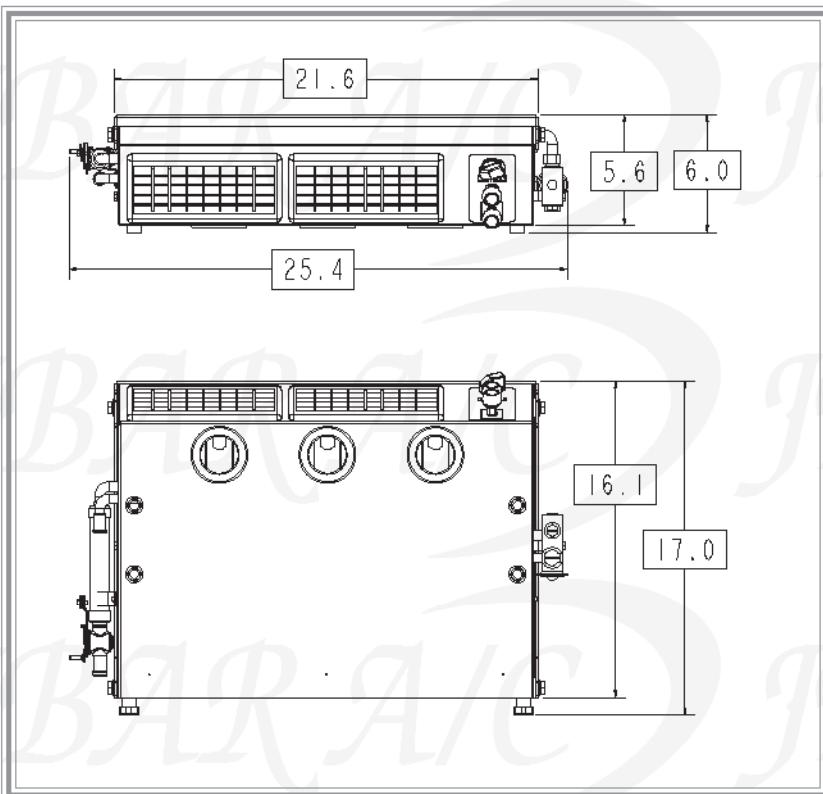
The Optional Fresh Air Intake Kit (1746) offers cab filtration and pressurization.

The EE100 has a Heater-A/C model and an A/C only version, both available in 12 and 24 volts with a three speed blower and adjustable thermostat.

Together with the "EDGE" condenser (EE601), the EE100 system will give years of ongoing satisfaction.



EE100 WITH 1746 FRESH AIR ADAPTER



Cooling Cap. (BTU/H)

EE100-0-12	19,888
EE100-0-24	20,500
EE100-1-12	18,083
EE100-1-24	18,555

Heating Cap. (BTU/H)

EE100-1-12	25,927
EE100-1-24	26,661

Airflow (SCFM)

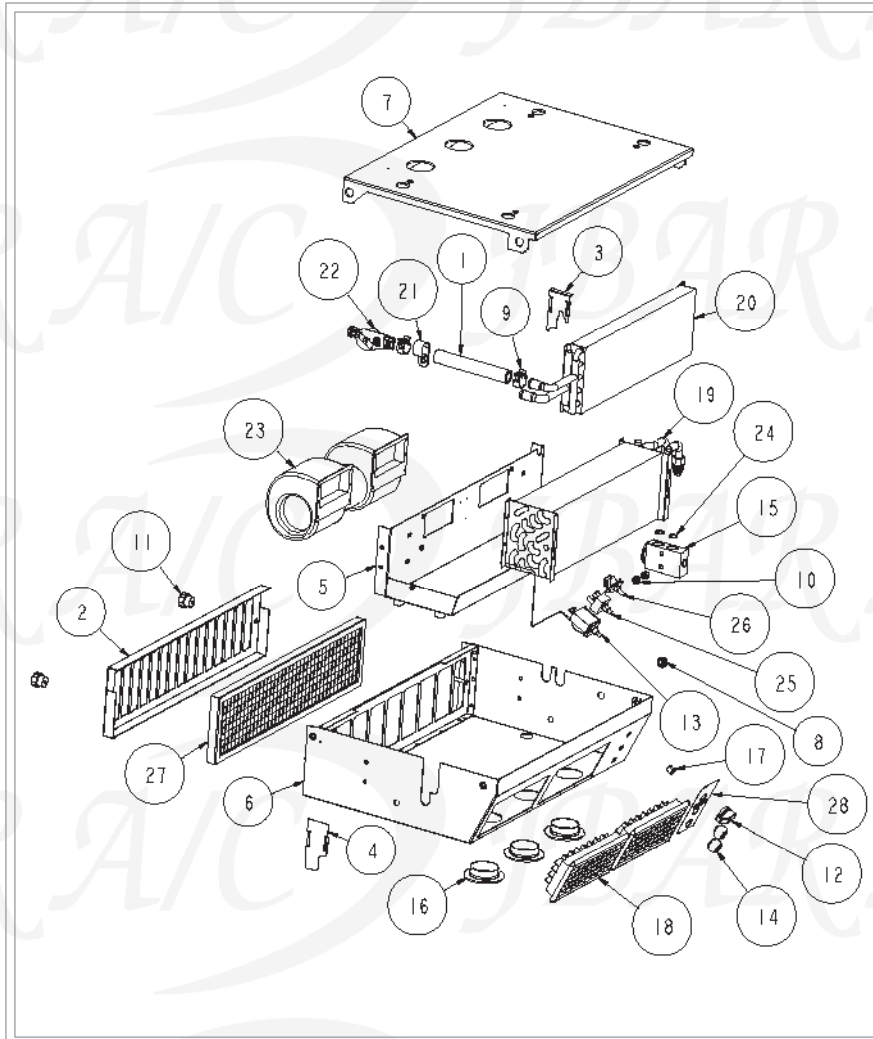
EE100-0-12	264
EE100-0-24	277
EE100-1-12	226
EE100-1-24	237

Max. Current (A)

EE100-0-12@ 13.5 VDC	13.4
EE100-0-24@ 27.0 VDC	7.5
EE100-1-12@ 13.5 VDC	12.8
EE100-1-24@ 27.0 VDC	7.0

Weight (Lbs.)

EE100-0	32
EE100-1	38



ITEM	PART #	DESCRIPTION
1	090016	*HEATER HOSE, 5/8" ID
2	102878	FILTER COVER
3	102879	*HEAT COIL SEAL
4	102880	†HEAT COIL BLOCKOFF
5	203019	DRAIN PAN
6	203020	BOTTOM HOUSING
7	203057	TOP HOUSING
8	301056	GROMMET, 1/2" HOLE
9	301159	*HOSE CLAMP (5/8")
10	301227	SPACER, TXV
11	301228	KNOB, FILTER COVER
12	301337	*KNOB, CONTROL
13	402284	THERMOSTAT SWITCH
14	403484	KNOB, CONTROLS
15	405017	TXV

ITEM	PART #	DESCRIPTION
16	405209	LOUVER, 2" ROUND
17	405278	†HOLE PLUG, DOUBLE D
18	405787	LOUVER, RECTANGULAR
19	405807	EVAPORATOR COIL
20	405808	*HEATER COIL
21	405813	*HOSE GUIDE/CLAMP
22	405841	*HEATER VALVE
23	405842	BLOWER, 24V
	405843	BLOWER, 12V
24	405863	O-RING, #8, HNBR
25	405875	BLOWER SWITCH
26	406014	*HEAT VALVE CONTROL
27	406241	AIR FILTER
28	406446	DECAL, CONTROLS

ITEMS NOT SHOWN

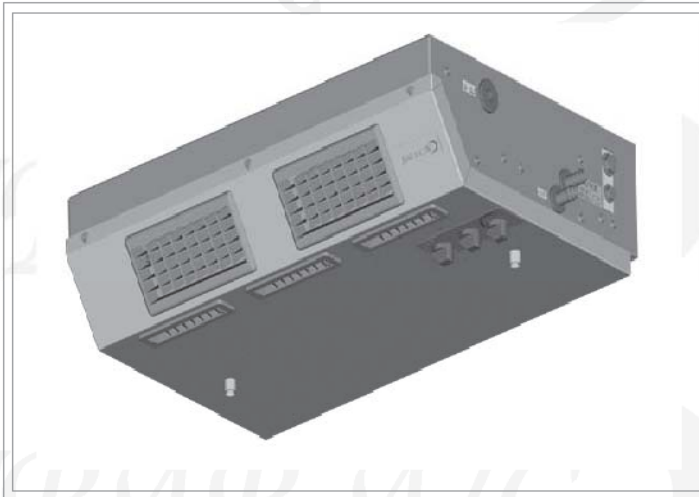
ITEM	PART #	DESCRIPTION
29	420324	WIRE HARNESS
30	420323	*HEAT VALVE CABLE
31	090223	DRAIN HOSE (1/2")

ITEM	PART #	DESCRIPTION
32	401836	DRAIN FTG, 90° (1/4NPT)
33	405785	DRAIN FTG, REDUCER
34	403430	DRAIN CHECK VALVE

* Items only supplied with A/C & Heat units

† Items only supplied with A/C units

"THE TOP ONE"



Models available...

EE110-0-12	A/C Only	12 Volt
EE110-0-24	A/C Only	24 Volt
EE110-1-12	HTR-A/C	12 Volt
EE110-1-24	HTR-A/C	24 Volt

Options Available...

1784	FRESH AIR INTAKE ADAPTER KIT
------	------------------------------

The EE110 Overhead system is designed to deliver a high level of operator comfort. Utilizing five outlets and over 400 CFM, airflow is superior to any unit in its class.

The Optional Fresh Air Intake Kit (1746) offers cab filtration and pressurization.

The EE110 has a Heater-A/C model and an A/C only version, both available in 12 and 24 volts with a three speed blower.

Together with the "DOUBLE EDGE" condenser (EE605), the EE110 system will give years of ongoing satisfaction.

Cooling Cap. (BTU/H)

EE110-0-12	25,000
EE110-0-24	25,000
EE110-1-12	24,000
EE110-1-24	24,000

Heating Cap. (BTU/H)

EE110-1-12	30,000
EE110-1-24	30,000

Airflow (SCFM)

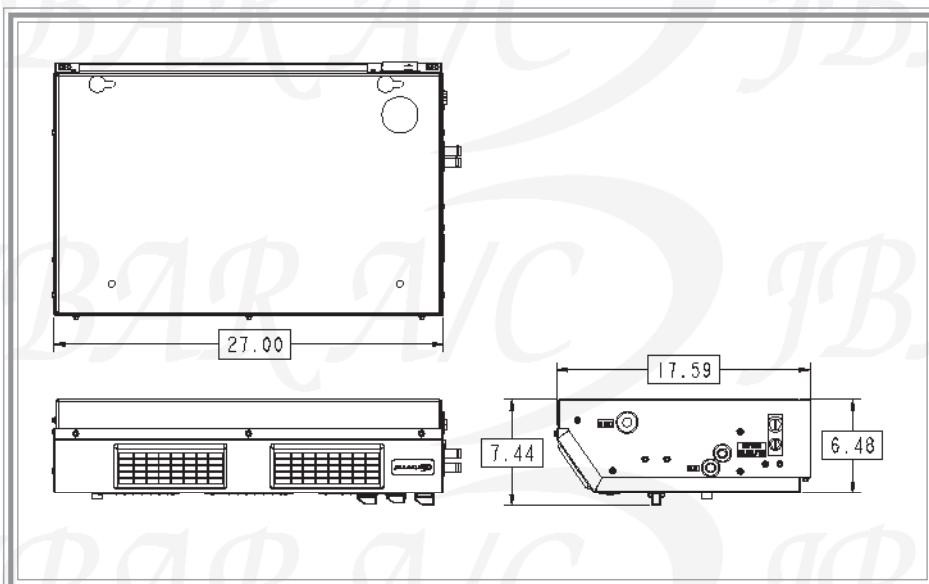
EE110-0-12	415
EE110-0-24	420
EE110-1-12	400
EE110-1-24	405

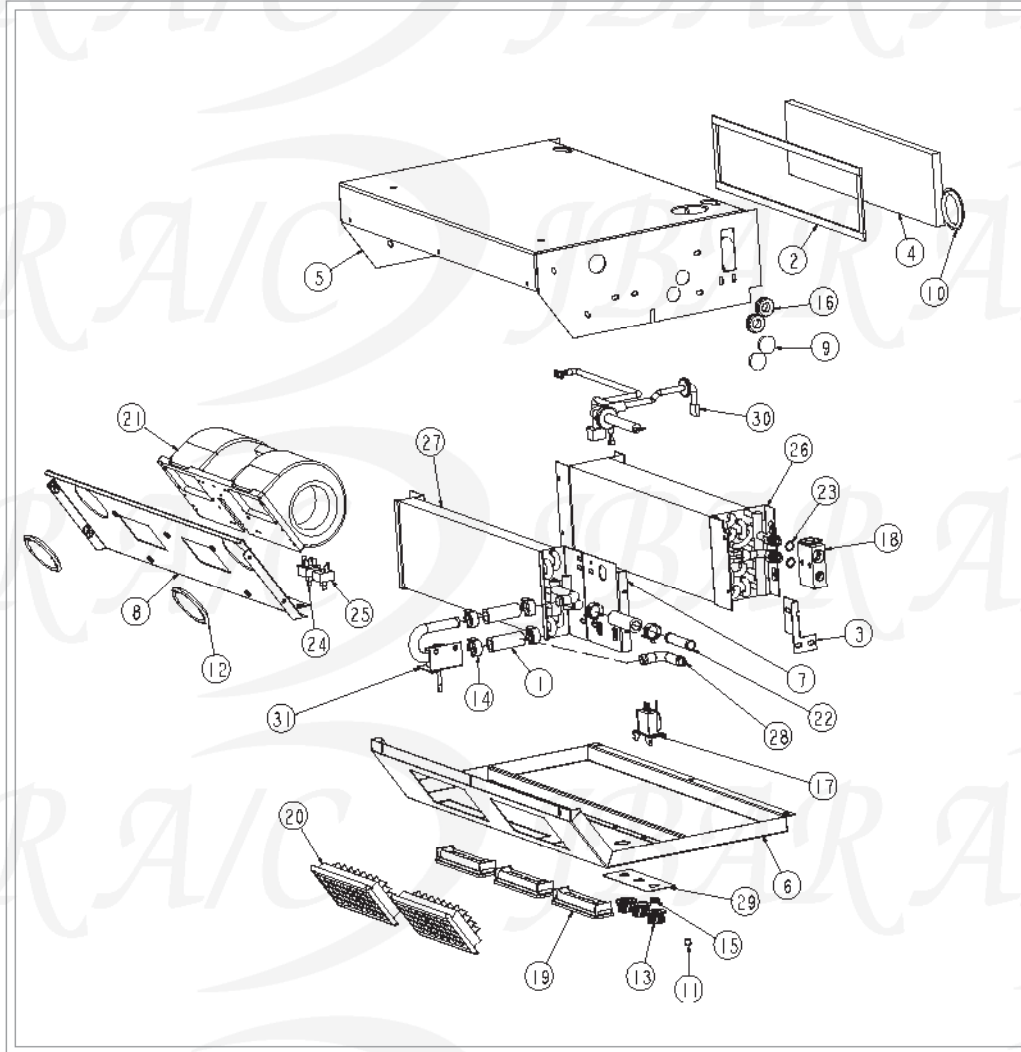
Max. Current (A)

EE110-0-12@ 13.5 VDC	22.5
EE110-0-24@ 27.0 VDC	11.4
EE110-1-12@ 13.5 VDC	21.5
EE110-1-24@ 27.0 VDC	10.5

Weight (Lbs.)

EE110-0	40
EE110-1	46





ITEM	PART #	DESCRIPTION
1	090016	*HEATER HOSE, 5/8" ID
2	090239	FILTER FASTENER
3	103025	EXP. VALVE BRKT
4	110509	AIR FILTER
5	203132	HOUSING
6	203133	COVER
7	203158	COIL BRACKET
8	203159	BLOWER MOUNT BRKT
9	300460	†HOLE PLUG, 1"
10	300639	HOLE PLUG, 2-1/2"
11	300461	†HOLE PLUG, 3/8"
12	301100	HOLE PLUG, 3"
13	301136	CONTROLS KNOB
14	301159	*HOSE CLAMP (5/8")
15	301397	*GROMMET, 3/8"
16	402336	*GROMMET, 1"

ITEM	PART #	DESCRIPTION
17	404968	THERMOSTAT SWITCH
18	405017	EXPANSION VALVE
19	405450	LOUVER, SMALL
20	405787	LOUVER, LARGE
21	405833	BLOWER, 24V
	405844	BLOWER, 12V
22	405848	*HARD PLUMB, STR
23	405863	O-RING, #8, HNBR
24	405875	BLOWER SWITCH
25	406334	A/C ON-OFF SWITCH
26	406401	EVAPORATOR COIL
27	406402	*HEATER COIL
28	406407	*HARD PLUMB, 90°
29	406409	CONTROLS DECAL
30	420367	WIRE HARNESS
31	450794	*HEATER VALVE

ITEMS NOT SHOWN

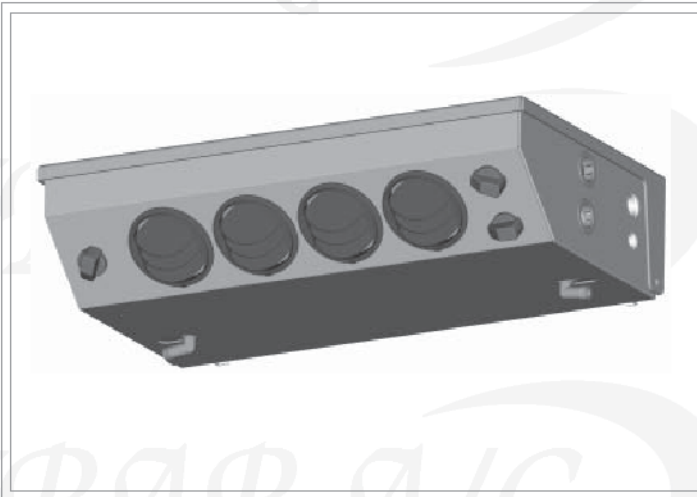
ITEM	PART #	DESCRIPTION
32	090223	DRAIN HOSE (1/2")
33	401836	DRAIN FTG, 90° (1/4NPT)

ITEM	PART #	DESCRIPTION
34	405785	DRAIN FTG, REDUCER
35	403430	DRAIN CHECK VALVE

* Items only supplied with A/C & Heat units

† Items only supplied with A/C units

"MIGHTY MITE II"



Models available...

EE120-0-12	A/C Only	12 Volt
EE120-0-24	A/C Only	24 Volt
EE120-1-12	HTR-A/C	12 Volt
EE120-1-24	HTR-A/C	24 Volt
EE120-3Heater Upgrade		

The NEW EE120 replaces the Model 2890 which pioneered the compact overhead systems in the off road environment. One of the smallest overheads available with a heat option.

The hinged cover offers ease of service. The heavy duty construction offers years of reliable service.

The EE120 has a Htr-A/C and A/C only version, both available in 12 and 24 volts with a three speed blower and adjustable thermostat. While the Htr-A/C version uses a remote electric water valve.

Cooling Cap. (BTU/H)

EE120-0-12	17,000
EE120-0-24	17,000
EE120-1-12	16,500
EE120-1-24	16,500

Heating Cap. (BTU/H)

EE120-1-12	20,000
EE120-1-24	20,000

Airflow (SCFM)

EE120-0-12	230
EE120-0-24	230
EE120-1-12	230
EE120-1-24	230

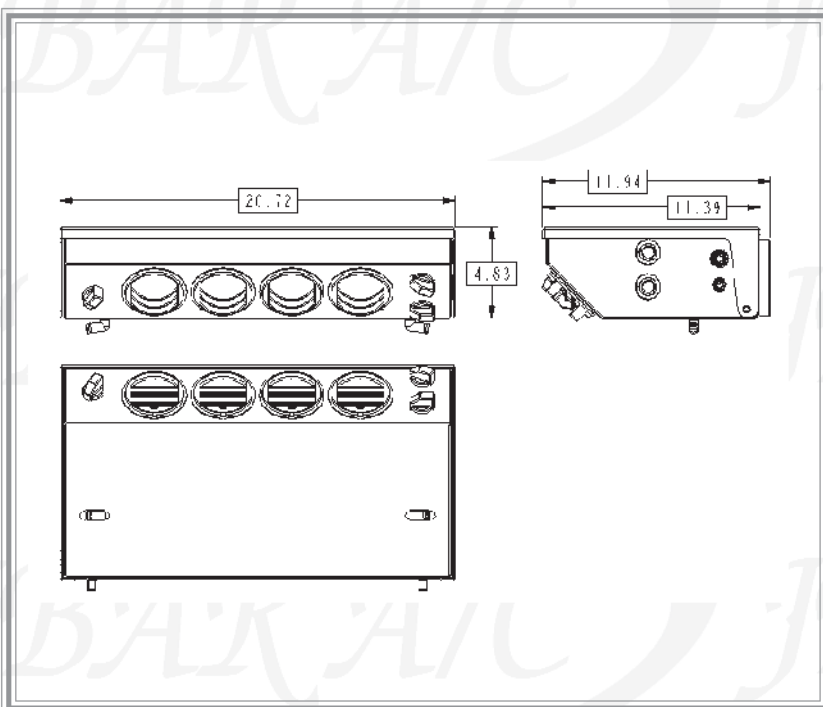
Max. Current (A)

EE120-0-12@ 13.5 VDC	18.0
EE120-0-24@ 27.0 VDC	9.0
EE120-1-12@ 13.5 VDC	18.0
EE120-1-24@ 27.0 VDC	9.0

Weight (Lbs.)

EE120-0	24
EE120-1	25

*All figures are estimates



EE120 SERVICE PARTS

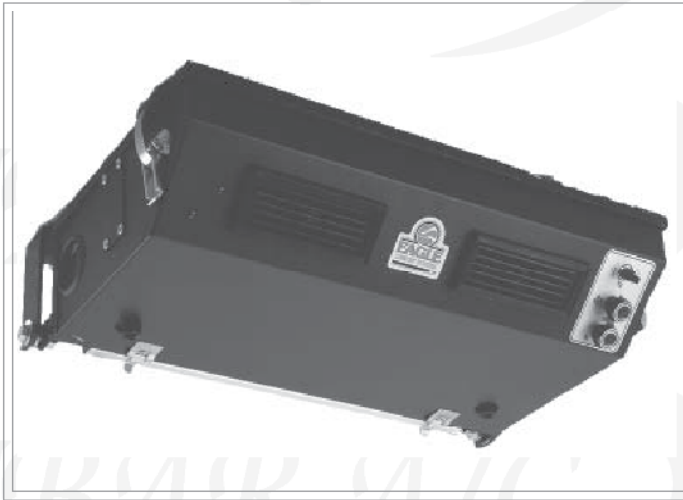
* Items only supplied with A/C & Heat units

† Items only supplied with A/C units

Model 2890

Heater/Air Conditioner Unit
Compact Overhead

"THE MIGHTY MITE"



Models available...

500970	A/C Only	12 Volt
500971	A/C Only	24 Volt
501025	HTR-A/C	12 Volt
501026	HTR-A/C	24 Volt

The Model 2890 pioneered the compact overhead systems in the off road environment. One of the smallest overheads available with a heat option. It has proven itself rugged and reliable year after year. The 2890's compact size makes it the logical choice for many of today's smaller low profile cabs.

Its powerful heating and cooling capacities provides an environment that is extremely comfortable.

The hinged cover offers ease of service. The heavy duty construction offers years of reliable service.

The 2890 has a Htr-A/C and A/C only version, both available in 12 and 24 volts with a three speed blower and adjustable thermostat.

Cooling (BTU/H)

500970	17,000
500971	17,000
501025	15,000
501026	15,000

Heating (BTU/H)

501025	20,000
501026	20,000

Airflow (SCFM)

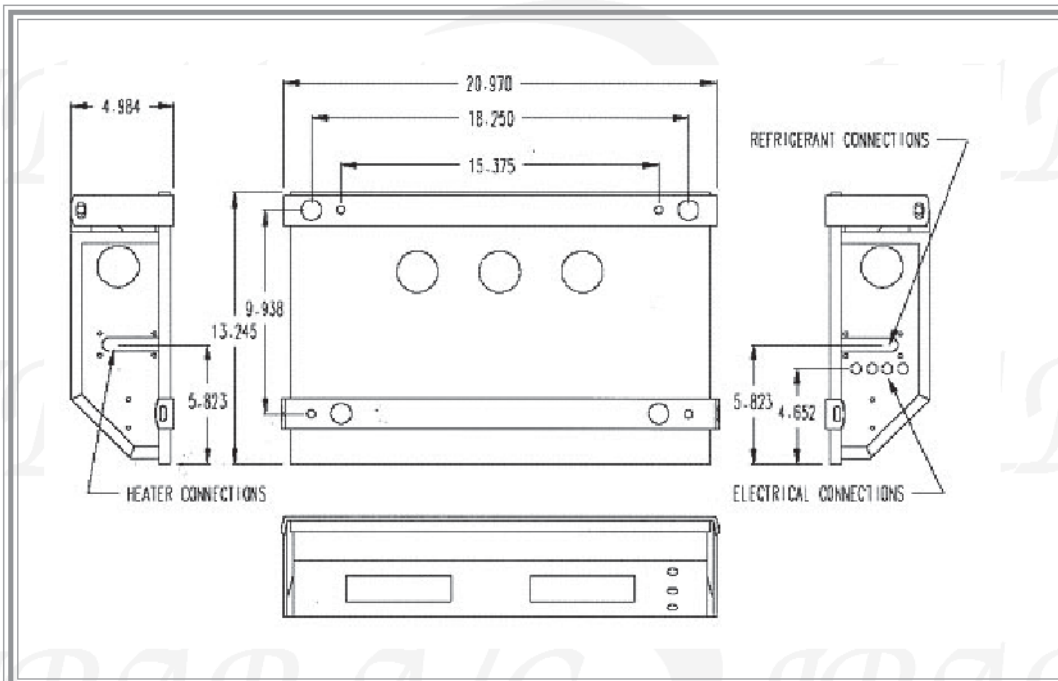
500970	252
500971	254
501025	218
501026	220

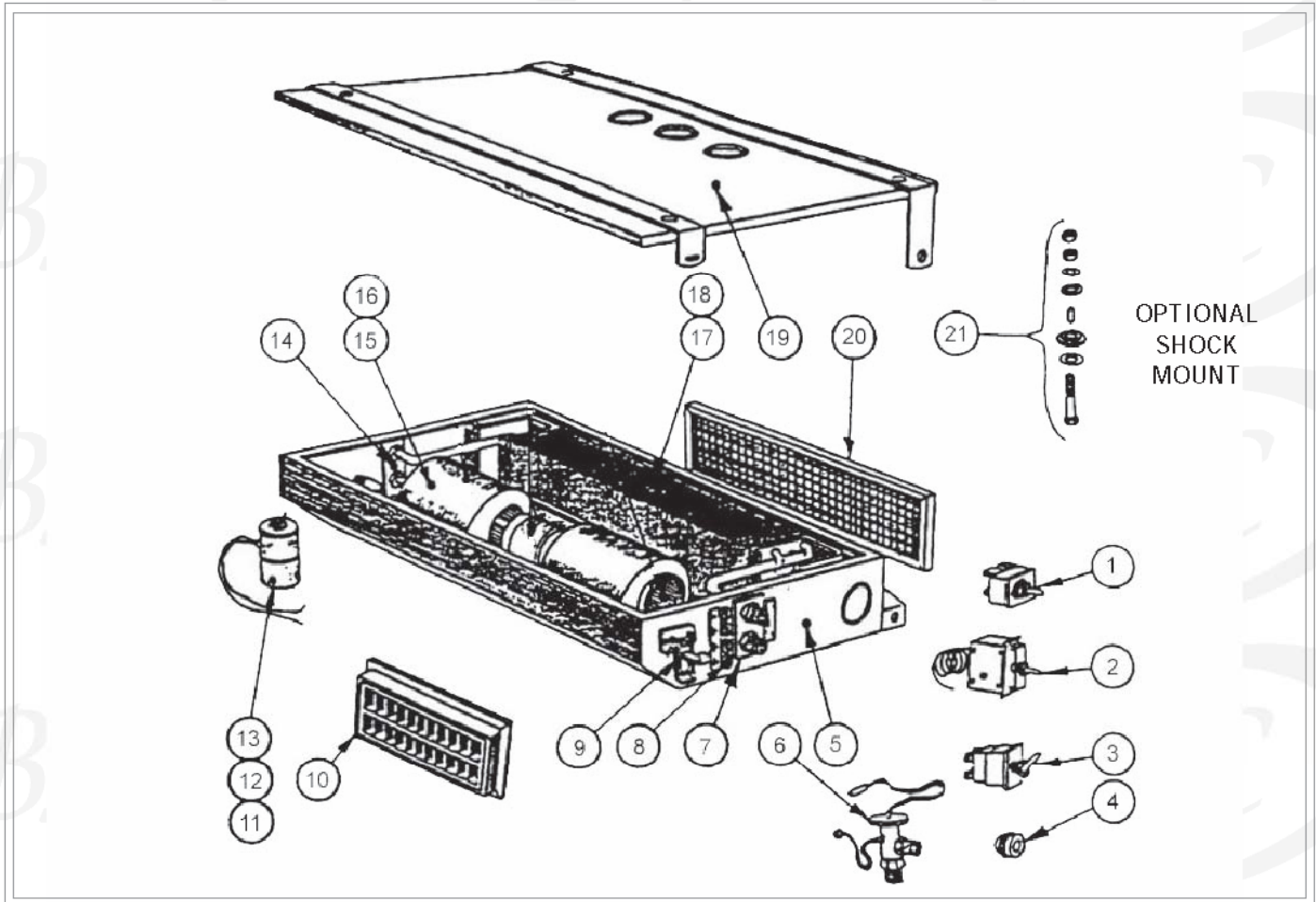
Max. Current (A)

500970 @ 13.5 VDC	18.0
500971 @ 27.0 VDC	9.0
501025 @ 13.5 VDC	17.4
501026 @ 27.0 VDC	8.5

Weight (Lbs.)

500970	34
500971	34
501025	37
501026	37





ITEM	PART #	DESCRIPTION
1	450190	Fan Switch
2	402284	Thermostat Switch
3	403354	Toggle Switch
4	403484	Knob
5	201187	Housing
6	404893	Expansion Valve
7	201195	Hard Plumb, A/C
8	400445	Terminal Bushing
9	400212	Latch
10	404800	Louver
11	450771	* Heater Valve, 12V
12	450772	* Heater Valve, 24V

* Items only supplied with A/C & Heat units

ITEM	PART #	DESCRIPTION
13	402985	* Fitting, Elbow
14	201211	* Hard Plumb, Heater
	101544	† Cover Plate
15	450769	Blower, 12V
16	450770	Blower, 24V
17	403039	* Coil, Heat & A/C
	404894	† Coil, A/C only
18	201194	Drain Pan
19	201249	Housing Cover
20	402332	Filter
21	404357	Shock Mount Kit (OPTIONAL)

† Items only supplied with A/C units

"THE GREAT WALL"



Models available...

EE201-0-12	A/C Only	12 Volt
EE201-0-24	A/C Only	24 Volt
EE201-1-12	HTR-A/C	12 Volt
EE201-1-24	HTR-A/C	24 Volt
EE201-4	Heater Upgrade	

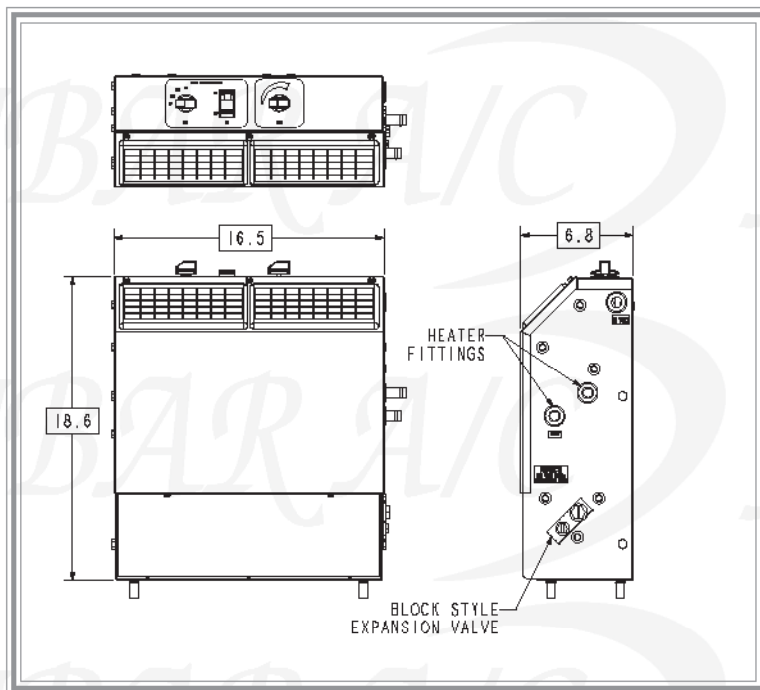
1777	Mounting Bracket Kit
102966	Mounting Bracket, Bottom Mount

The EE201 leads the way in comfort with a powerful blower system providing maximum airflow from a small package. The easily removable filter makes for quick replacement as needed.

The ergonomic design of the controls and louvers make it easy for the operator to control their environment. The front cover on the EE201 is quickly removable for installation of hidden mounting bolts, allowing for a cleaner installation.

When used with the "DOUBLE EDGE" condenser (EE605), the EE201 will offer the greatest amount of overall satisfaction in the market.

The EE201 also has an optional Plenum Adaptor (203107) that allows duct hose to be added for remote louvers.



Cooling (BTU/H)

EE201-0-12	19,800
EE201-0-24	19,925
EE201-1-12	18,000
EE201-1-24	18,425

Heating (BTU/H)

EE201-1-12	25,800
EE201-1-24	26,650

Airflow (SCFM)

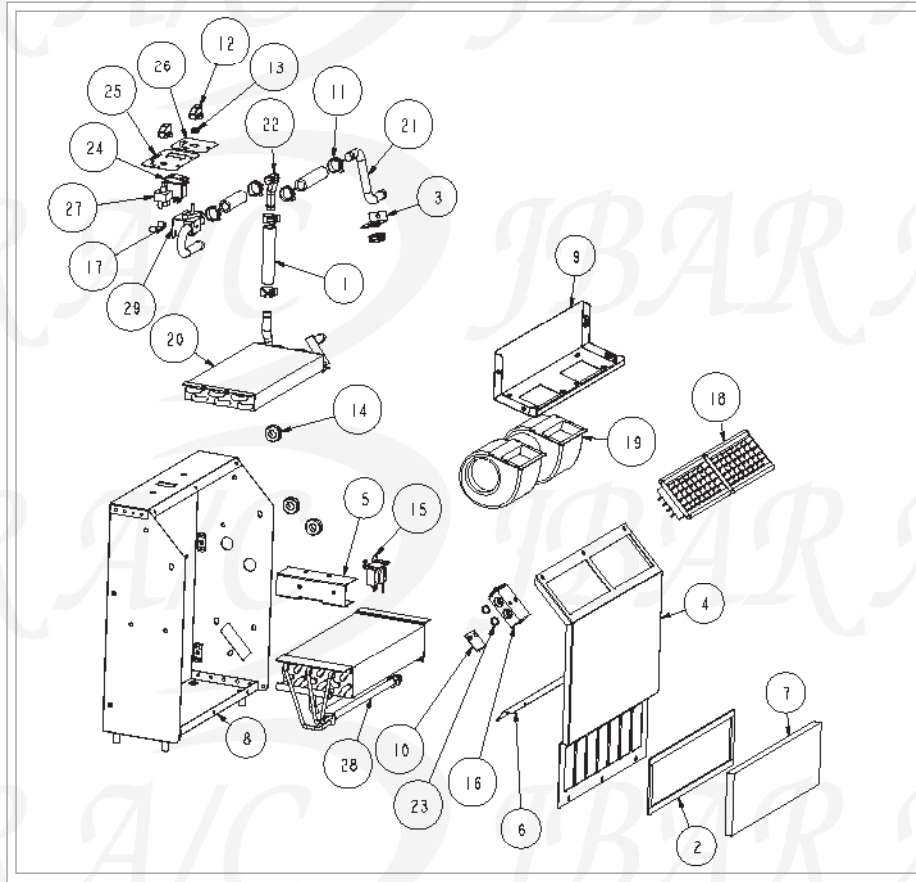
EE201-0-12	260
EE201-0-24	270
EE201-1-12	225
EE201-1-24	235

Max. Current (A)

EE201-0-12	@13.5 VDC	14.6
EE201-0-24	@27.0 VDC	7.8
EE201-1-12	@13.5 VDC	13.6
EE201-1-24	@27.0 VDC	7.5

Weight (Lbs.)

EE201-0	32
EE201-1	37



ITEM	PART #	DESCRIPTION	ITEM	PART #	DESCRIPTION
1	090016	*HEATER HOSE, 5/8" ID	17	405760	*SPACER-HEAT VALVE
2	090239	AIR FILTER FASTENER	18	405787	LOUVER
3	102992	*HARD PLUMB BRKT	19	405842	BLOWER, 24V
4	102993	HOUSING COVER		405843	BLOWER, 12V
5	102998	COIL SUPPORT BRKT	20	405851	* HEATER COIL
6	103005	DRIP DEFLECTOR	21	405852	* HARD PLUMB, JOG
7	110497	AIR FILTER	22	405853	* HARD PLUMB, 90 DEG.
8	203120	HOUSING	23	405863	O-RING, #8, HNBR
9	203121	BLOWER MOUNT	24	405868	A/C SWITCH, 24V
10	203129	EXP. VALVE BRKT		405869	A/C SWITCH, 12V
11	301159	* HOSE CLAMP (5/8")	25	405873	DECAL, BLOWER & A/C
12	301337	KNOB, CONTROLS	26	405874	* DECAL, HEAT
13	301397	* GROMMET, 3/8" HOLE	27	405875	BLOWER SWITCH
14	402336	* GROMMET, 1" HOLE	28	406345	EVAPORATOR COIL
15	404968	THERMOSTAT SWITCH	29	450748	* HEAT VALVE
16	405017	EXPANSION VALVE			

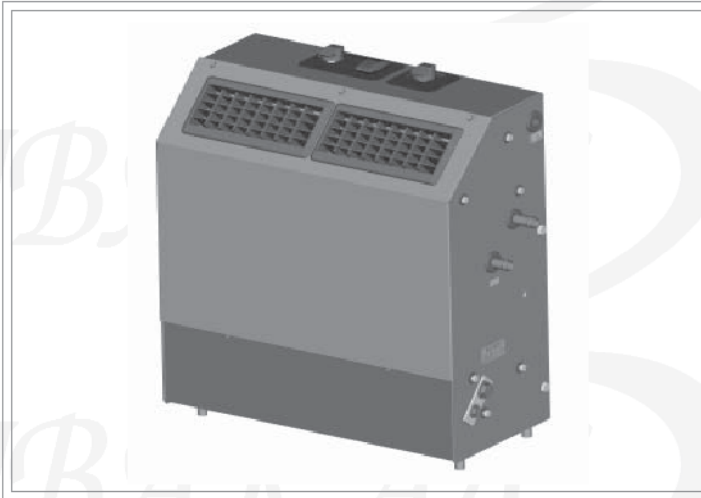
ITEMS NOT SHOWN

ITEM	PART #	DESCRIPTION	ITEM	PART #	DESCRIPTION
30	420329	WIRE HARNESS	32	300641	† HOLE PLUG (3/8")
31	300460	† HOLE PLUG (1")	33	301258	† HOLE PLUG (5/16")

* Items only supplied with A/C & Heat units

† Items only supplied with A/C units

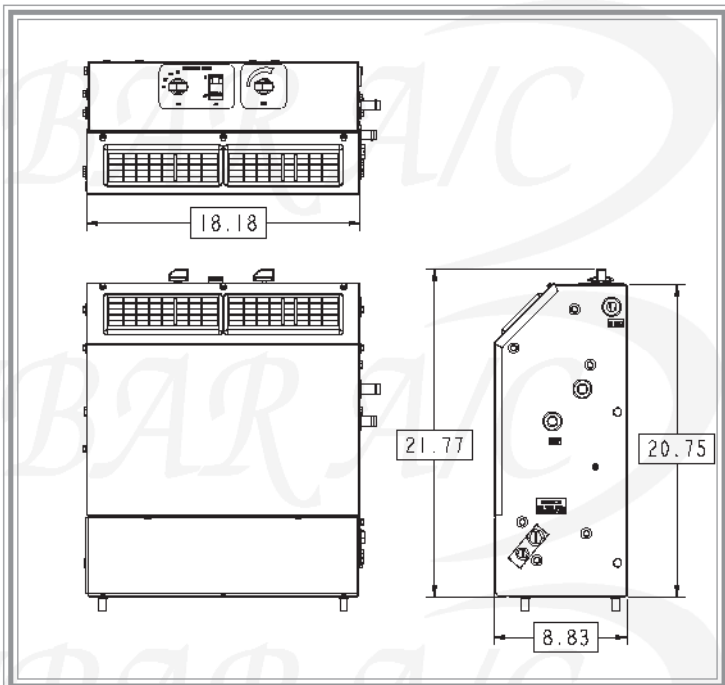
"THE WALL"



Models available...

EE210-0-12	A/C Only	12 Volt
EE210-0-24	A/C Only	24 Volt
EE210-1-12	HTR-A/C	12 Volt
EE210-1-24	HTR-A/C	24 Volt
1777	Mounting Kit-Side	
103062	Mounting Bracket-Bottom	

The EE210 leads the way in comfort with a powerful blower system providing maximum airflow. The larger Wall Mount is designed to meet the most extreme conditions in larger cabs.



Cooling (BTU/H)

EE210-0-12	24,000
EE210-0-24	24,000
EE210-1-12	23,500
EE210-1-24	23,500

Heating (BTU/H)

EE210-1-12	31,000
EE210-1-24	31,000

Airflow (SCFM)

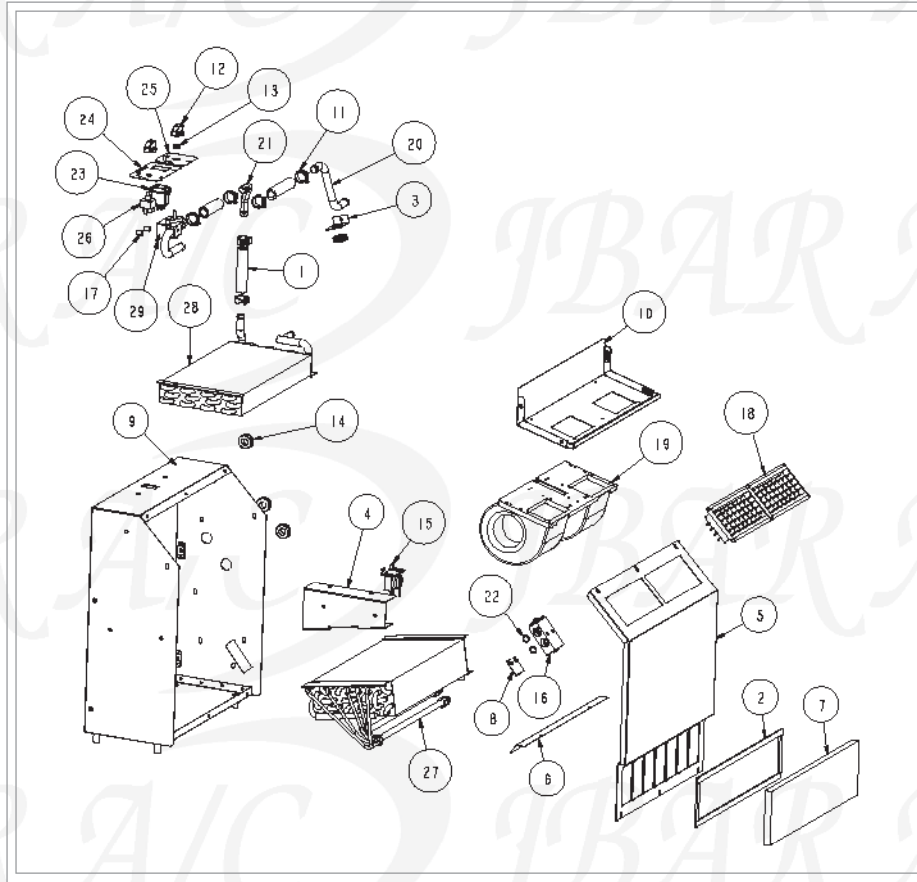
EE210-0-12	410
EE210-0-24	415
EE210-1-12	390
EE210-1-24	395

Max. Current (A)

EE210-0-12 @13.5 VDC	18.4
EE210-0-24 @27.0 VDC	10.1
EE210-1-12 @13.5 VDC	17.5
EE210-1-24 @27.0 VDC	9.0

Weight (Lbs.)

EE210-0	40
EE210-1	47



ITEMPART # DESCRIPTION

1	090016	*HEATER HOSE, 5/8" ID
2	090239	AIR FILTER FASTENER
3	102992	*HARD PLUMB BRKT
4	103028	COIL SUPPORT BRKT
5	103029	HOUSING COVER
6	103030	WATER DEFLECTOR
7	110520	AIR FILTER
8	203129	EXP. VALVE BRKT
9	203138	HOUSING
10	203139	BLOWER MOUNT
11	301159	* HOSE CLAMP (5/8")
12	301337	KNOB, CONTROLS
13	301397	* GROMMET, 3/8" HOLE
14	402336	GROMMET, 1" HOLE
15	404968	THERMOSTAT SWITCH
16	405017	EXPANSION VALVE

ITEMPART # DESCRIPTION

17	405760	* SPACER, HEAT VALVE
18	405787	LOUVER
19	405844	BLOWER, 12V
	405833	BLOWER, 24V
20	405852	* HARD PLUMB, JOG
21	405853	* HARD PLUMB, 90 DEG.
22	405863	O-RING, #8, HNBR
23	405868	A/C SWITCH, 24V
	405869	A/C SWITCH, 12V
24	405873	DECAL, BLOWER & A/C
25	405874	* DECAL, HEAT
26	405875	BLOWER SWITCH
27	406428	EVAPORATOR COIL
28	406429	HEAT COIL
29	450748	* HEAT VALVE

ITEMS NOT SHOWN

ITEMPART # DESCRIPTION

30	420360	WIRE HARNESS
31	300460	† HOLE PLUG (1")

ITEMPART # DESCRIPTION

32	300641	† HOLE PLUG (3/8")
33	301258	† HOLE PLUG (5/16")

* Items only supplied with A/C & Heat units

† Items only supplied with A/C units

"A/C MADE EASY"



Models available...

EE220-4-12	A/C Only	12 Volt
EE220-4-24	A/C Only	24 Volt

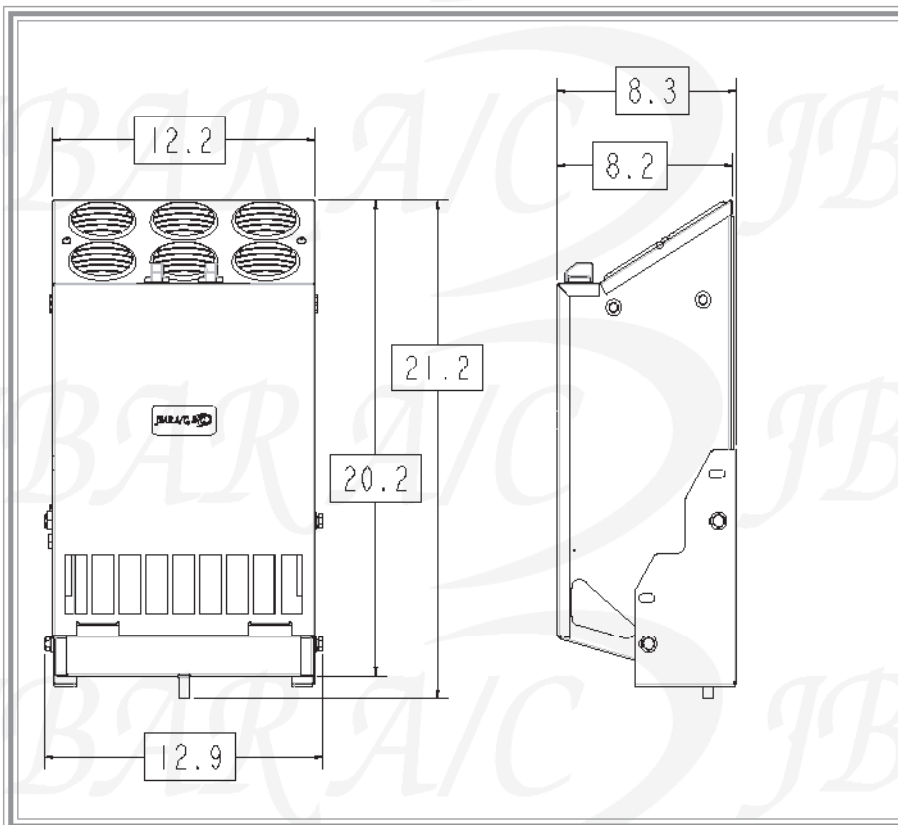
Shown with Optional Mounting Brackets

- 1812 Mounting Bracket Kit
- 1811 Air Filter Kit

The EE220 is the quickest way to add operator comfort in a narrow package. Designed for multiple mounting options and a narrow width, this unit can fit into spaces many others find difficult. The adjustable louvers allow for maximum airflow coverage, while handling 300 CFM of Blowing Power!

With a long life permanent magnet motor and heavy gage, welded steel construction using only stainless steel fasteners, the EE220 offers years of dependable service.

The OPTIONAL Adjustable Mounting Brackets (included) allow for up to 4" of height variability.



Cooling (BTU/H)

EE220-4-12	21,000
EE220-4-24	21,525

Airflow (SCFM)

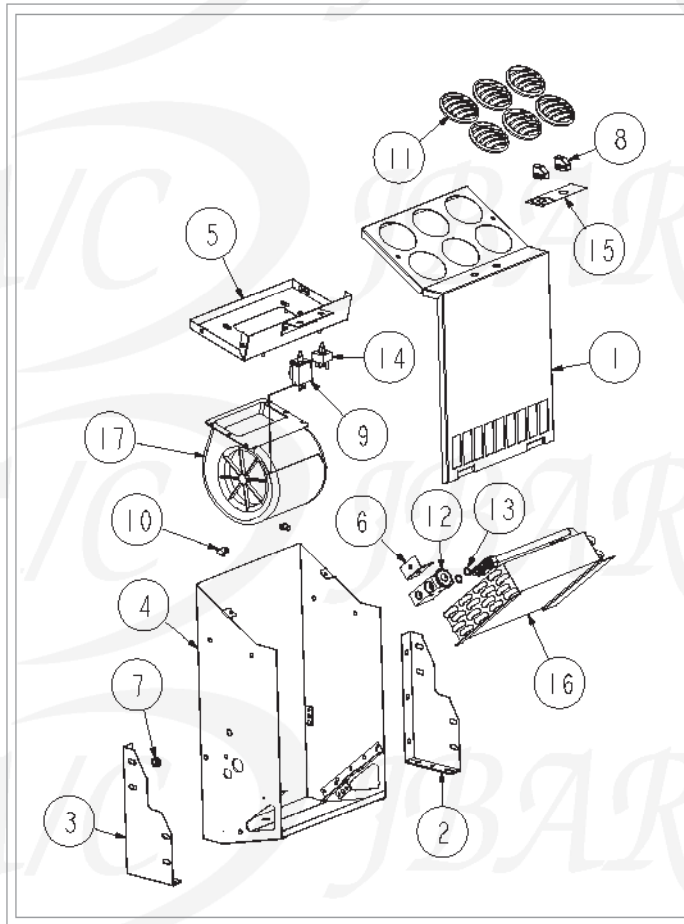
EE220-4-12	293
EE220-4-24	308

Max. Current (A)

EE220-4-12 @13.5 VDC	15.5
EE220-4-24 @27.0 VDC	7.8

Weight (Lbs.)

EE220-4	27
---------	----



ITEMPART # DESCRIPTION

1	102926	HOUSING COVER
2	102927	MOUNT ANGLE - RIGHT (OPTIONAL)
3	102928	MOUNT ANGLE - LEFT (OPTIONAL)
4	203062	HOUSING
5	203063	BLOWER MOUNT
6	203064	EXPANSION VALVE BRKT
7	301056	GROMMET
8	301337	CONTROL KNOB
9	402284	THERMOSTAT SWITCH (ADJUSTABLE)

ITEMPART # DESCRIPTION

10	404147	WIRE HARNESS CLAMP
11	404379	LOUVER, 3" ROUND
12	405017	THERMAL EXPANSION VALVE
13	405863	O-RING, #8, HNBR
14	405875	BLOWER SWITCH
15	405999	CONTROLS DECAL
16	406010	EVAPORATOR COIL
17	450762	BLOWER, 12V
	450761	BLOWER, 24V

ITEMS NOT SHOWN

18	420334	WIRE HARNESS
----	--------	--------------

"MODULARITY"



Models available...

EE230-0-12	A/C Only	12 Volt
EE230-0-24	A/C Only	24 Volt
EE230-1-12	HTR-A/C	12 Volt
EE230-1-24	HTR-A/C	24 Volt

The EE230 offers flexibility in design with a compact blower/heat exchanger package. This unit can accommodate various inlet and outlet plenums to meet your customers needs.



203151 - Optional Inlet Box

Cooling (BTU/H)

EE230-0-12	24,500
EE230-0-24	25,000
EE230-1-12	23,700
EE230-1-24	24,150

Heating (BTU/H)

EE230-1-12	33,000
EE230-1-24	33,440

Airflow (SCFM)

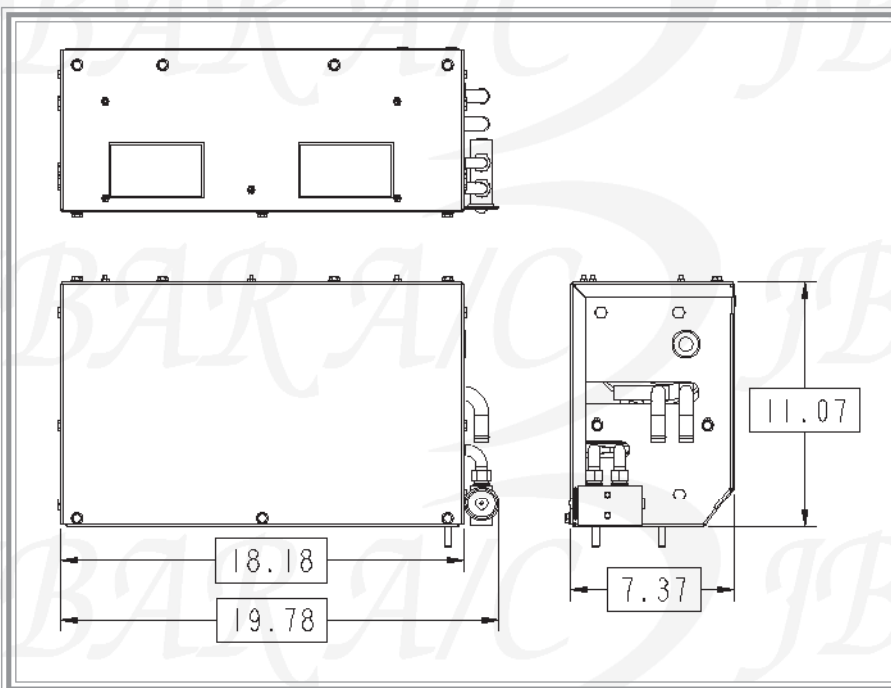
EE230-0-12	420
EE230-0-24	430
EE230-1-12	400
EE230-1-24	405

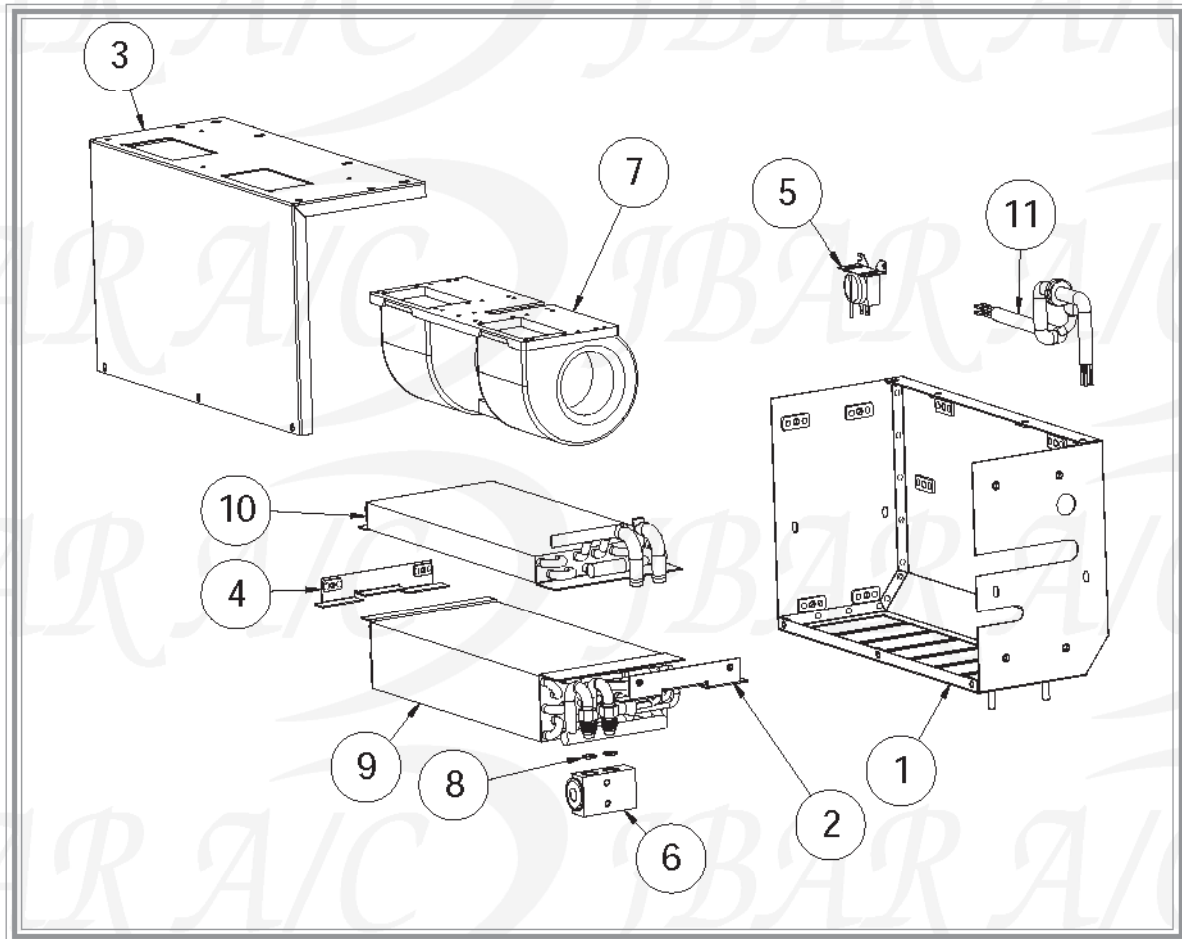
Max. Current (A)

EE230-0-12 @13.5 VDC	19.9
EE230-0-24 @27.0 VDC	10.9
EE230-1-12 @13.5 VDC	18.8
EE230-1-24 @27.0 VDC	9.9

Weight (Lbs.)

EE230-0	20
EE230-1	25





ITEMPART # DESCRIPTION

1	203142	HOUSING
2	203143	COIL SUPPORT BRKT
3	203153	COVER
4	203166	COIL SUPPORT BRKT
5	404968	THERMOSTAT SWITCH
6	405017	EXPANSION VALVE

ITEMPART # DESCRIPTION

7	405844	BLOWER, 12V
	405833	BLOWER, 24V
8	405863	O-RING, #8, HNBR
9	406433	EVAPORATOR COIL
10	406434	* HEATER COIL
11	420366	WIRE HARNESS

* Items only supplied with A/C & Heat units

"DASHBOARD LIGHT"



Models available...

EE255-0-12	A/C Only	12 Volt
EE255-0-24	A/C Only	24 Volt

The EE255 offers flexibility in design with a compact blower/heat exchanger package. Designed for orifice tube systems. This unit mounts to the wall as a fresh air system.

Cooling (BTU/H)

EE230-0-12	15,500
EE230-0-24	16,000

Airflow (SCFM)

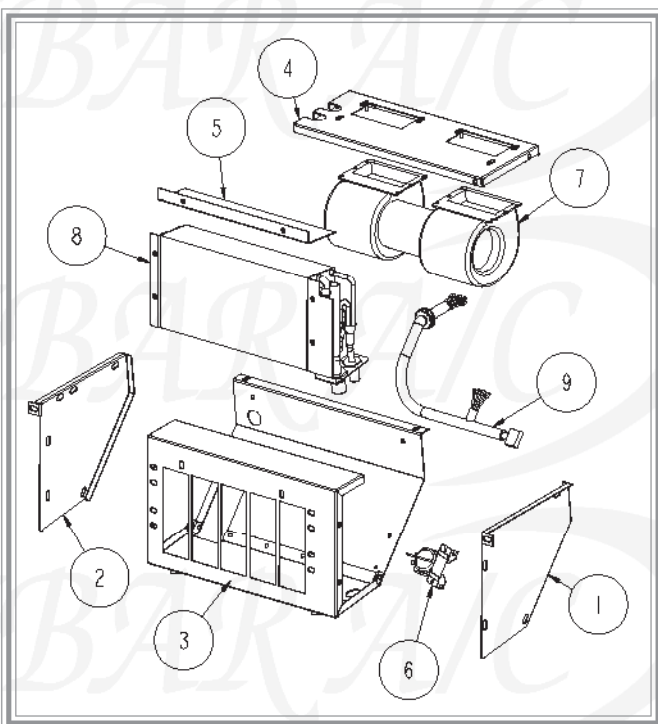
EE230-0-12	250
EE230-0-24	250

Max. Current (A)

EE255-0-12 @13.5 VDC	14.9
EE255-0-24 @27.0 VDC	7.9

Weight (Lbs.)

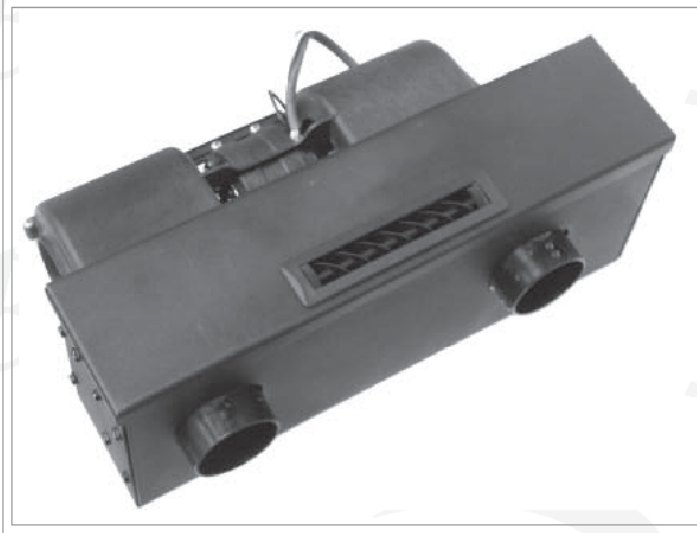
EE255-0	20
---------	----



ITEM PART # DESCRIPTION

1	103039	Housing RT
2	103040	Housing LFT
3	203146	Main Wrap
4	203147	Blower Mt
5	203148	Top Coil Bkt
6	404968	Thermostat Switch (PRESET)
7	405843	Blower Assembly, 12v
	405842	Blower Assembly, 24V
8	406441	Evaporator Coil, EE255
9	420363	Wire Harness, EE255

"LESS FILLING"



Cooling (BTU/H)

EE1705-0-12	15,000
EE1705-0-24	15,000

Airflow (SCFM)

EE1705-0-12	250
EE1705-0-24	250

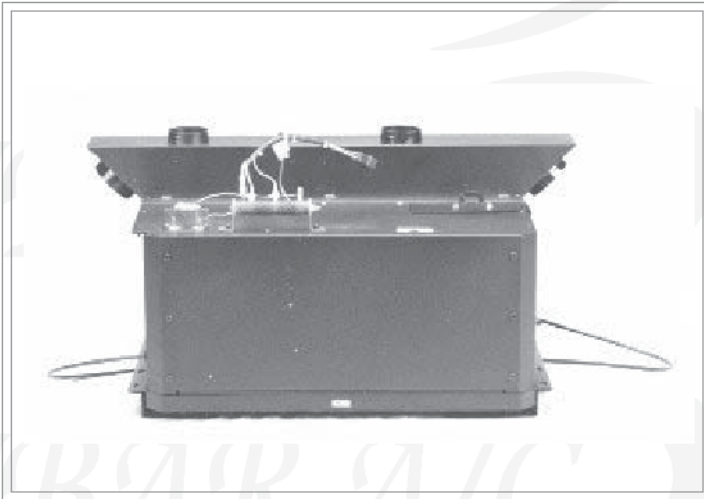
Weight (Lbs.)

EE1705-0	15
----------	----

Size : 16.5w x 6.5h x 9d

The EE1705 offers air conditioning in a compact blower/heat exchanger package. Designed for small cabs using recirculated air, the heavy duty construction makes for a great little product. The front outlets can be set up for either 3" duct adaptors or 3 - 3" louvers.

"PC POWER"



Model available...

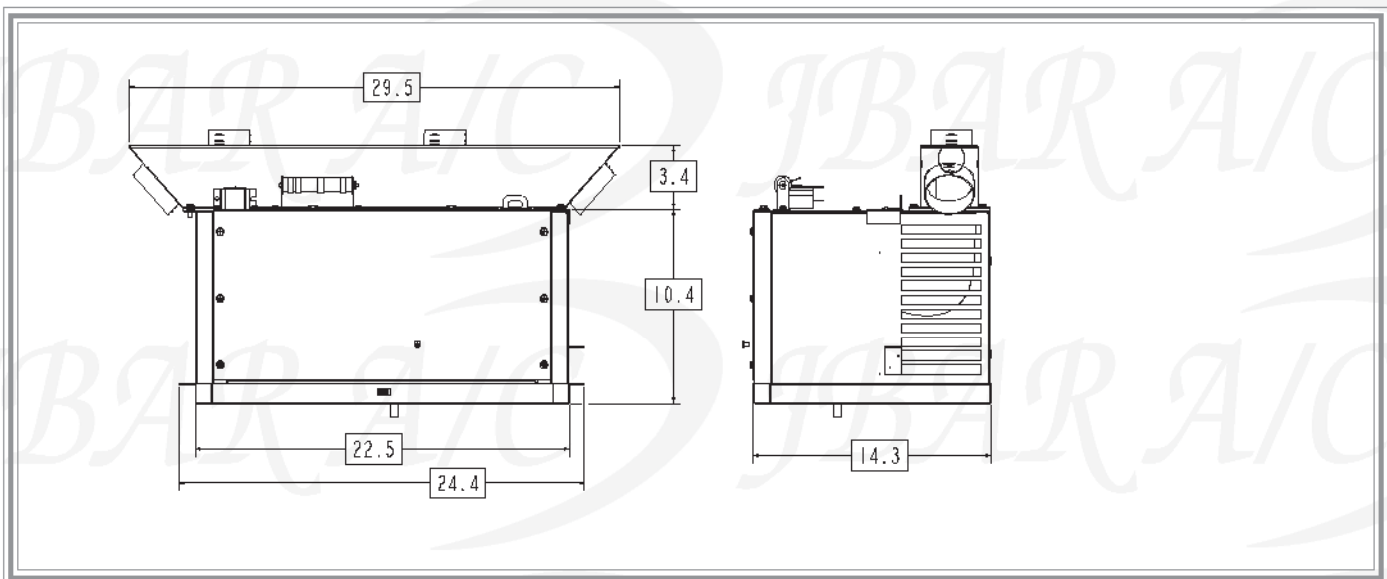
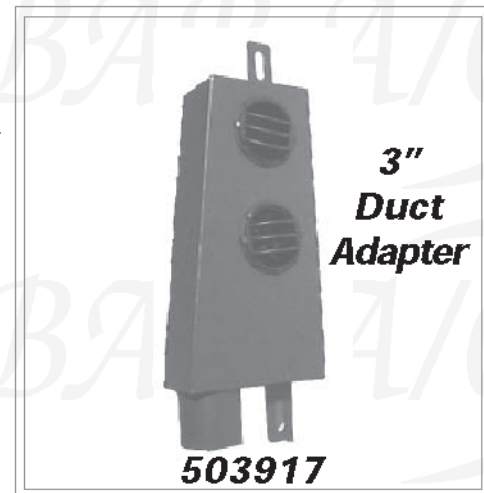
EE300-1-24 HTR-A/C 24 Volt

**The INDUSTRY STANDARD for
KOMATSU PC-6 Applications
(replaces Denso & Eagle Units)**

The PC PLUS Series HVAC unit will provide optimum airflow to the operator via the six louver duct design, which includes a louver box w/ 3" adaptor (#503917) installed next to the operator for direct airflow.

A long life high performance blower motor is used to meet the high expectations of the customer.

The PC Plus Series offers an easy to clean framed filter.



Cooling (BTU/H)

EE300-1-24 21,209

Airflow (SCFM)

EE300-1-24 282

Weight (Lbs.)

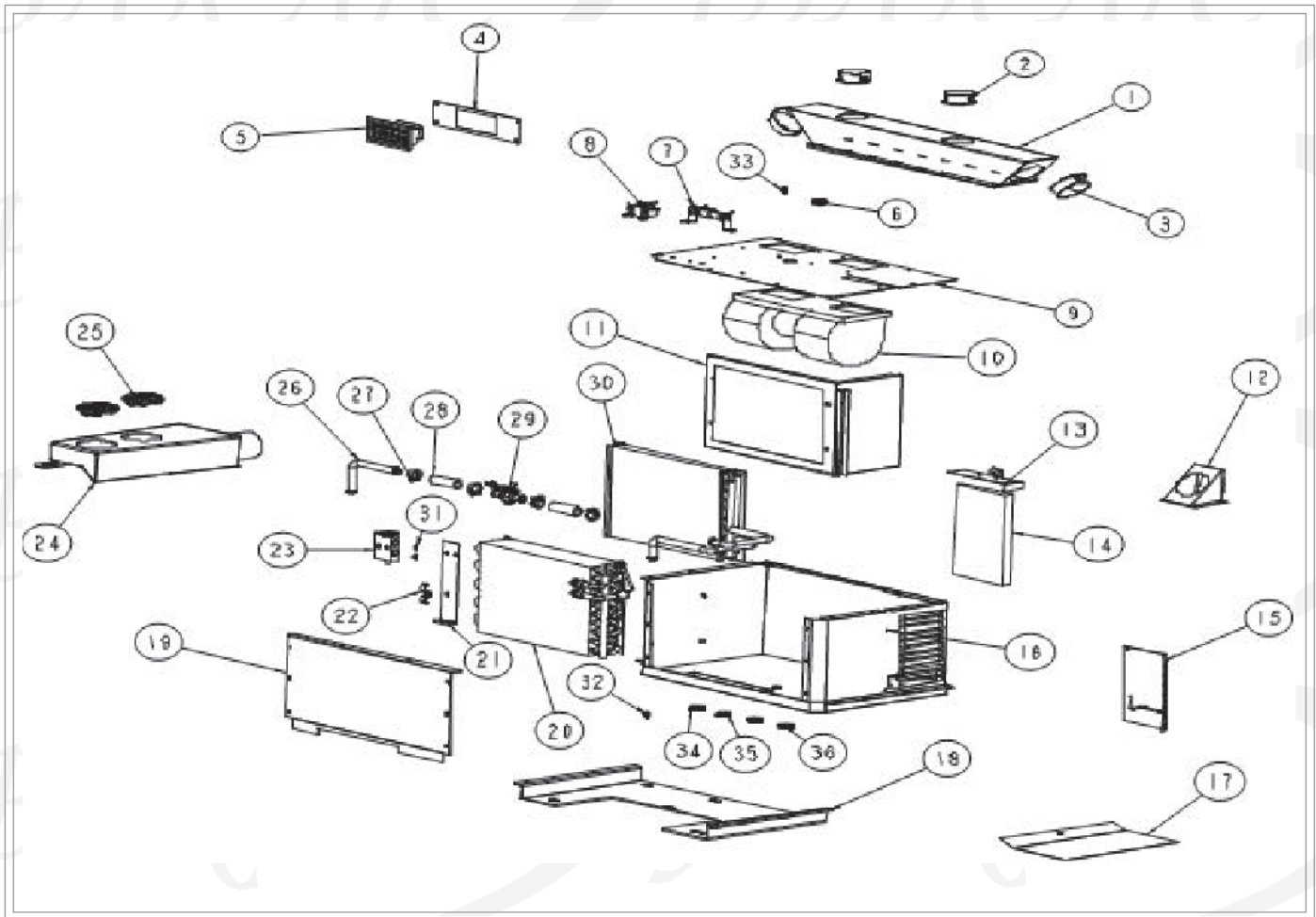
EE300-1-24 99

Heating (BTU/H)

EE300-1-24 36,802

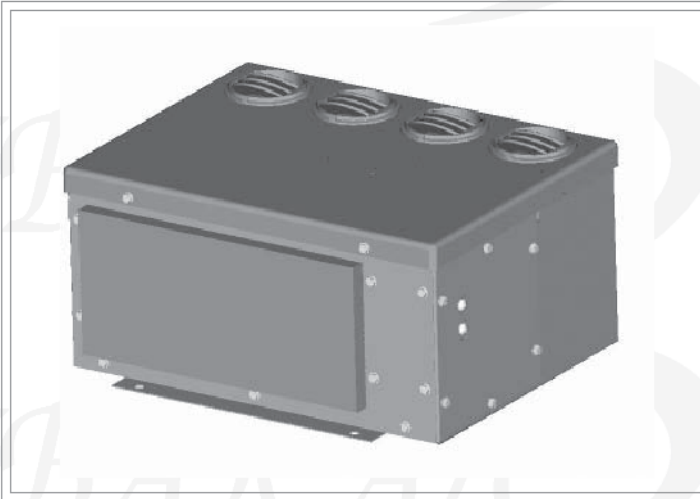
Max. Current (A)

EE300-1-24 @27.0VDC 10.5



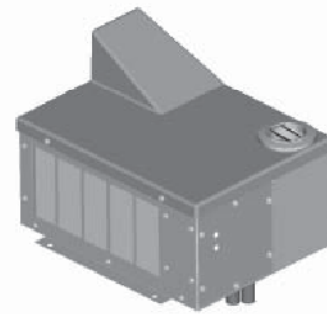
ITEM	PART #	DESCRIPTION	ITEM	PART #	DESCRIPTION
1	203001	DIST. PLENUM	19	102862	PLATE ACCESS
2	402223	ADAPTER 2 1/2	20	405788	EVAPORATOR COIL
3	404839	ADAPTER 3"	21	203048	TXV SUPPORT
4	102523	PANEL, LOUVER	22	405795	BRKT. CLAMP
5	405277	LOUVER ASSY.	23	405018	EXPANSION VALVE
6	301370	GROMMET	24	203004	OUTLET
7	405414	RESISTOR	25	405687	LOUVER ROUND
8	404968	THERMOSTAT SWITCH	26	405792	TUBE, HEATER
9	203011	PLATE, TOP	27	301159	HOSE CLAMP 5/8
10	450747	BLOWER, 24V	28	90016	HEATER HOSE 5/8
11	203005	COIL DIVIDER	29	405841	WATER VALVE
12	203003	DUCT ADAPTER	30	405789	COIL, HEAT
13	102873	FILTER HANDLE	31	405863	O-RING #8 HNBR
14	406244	AIR FILTER	32	301056	GROMMET, 1/2 HOLE
15	203018	OSA DOOR	33	301397	GROMMET, 3/8 HOLE
16	203000	MAIN HOUSING	34	405994	GROMMET, 1.125 ID
17	102875	FILTER ACCESS	35	405995	GROMMET, .75 ID
18	203006	SUPPORT TRAY	36	405996	GROMMET, 1.000 ID

"FLOOR POWER"



Models available...		
EE320-0-12*	A/C Only	12 Volt
EE320-0-24*	A/C Only	24 Volt
EE320-1-12*	HTR-A/C	12 Volt
EE320-1-24*	HTR-A/C	24 Volt
EE320-5-12	HTR-A/C-ELEC WTR VLVE	12 Volt
EE320-6-24	KOMATSU PC-7 Series	24 Volt

***Requires External
Water Valve**



The NEW EE320 is the latest in a growing line of OFF-ROAD HVAC Systems from JBAR A/C! The EE320 is also designed to replace many of the antiquated BUNK Units offered by the competition. The standard cover comes with a four louver configuration.

Change the look by adding a different cover!
OPTIONAL COVERS can be designed to fit your specific needs!

CONTROLS KIT
1767 Manual
1778 Electric



Cooling (BTU/H)

EE320-0-12	27,500
EE320-0-24	28,000
EE320-1-12	26,000
EE320-1-24	28,000

Heating (BTU/H)

EE320-1-12	47,963
EE320-1-24	50,235

Airflow (SCFM)

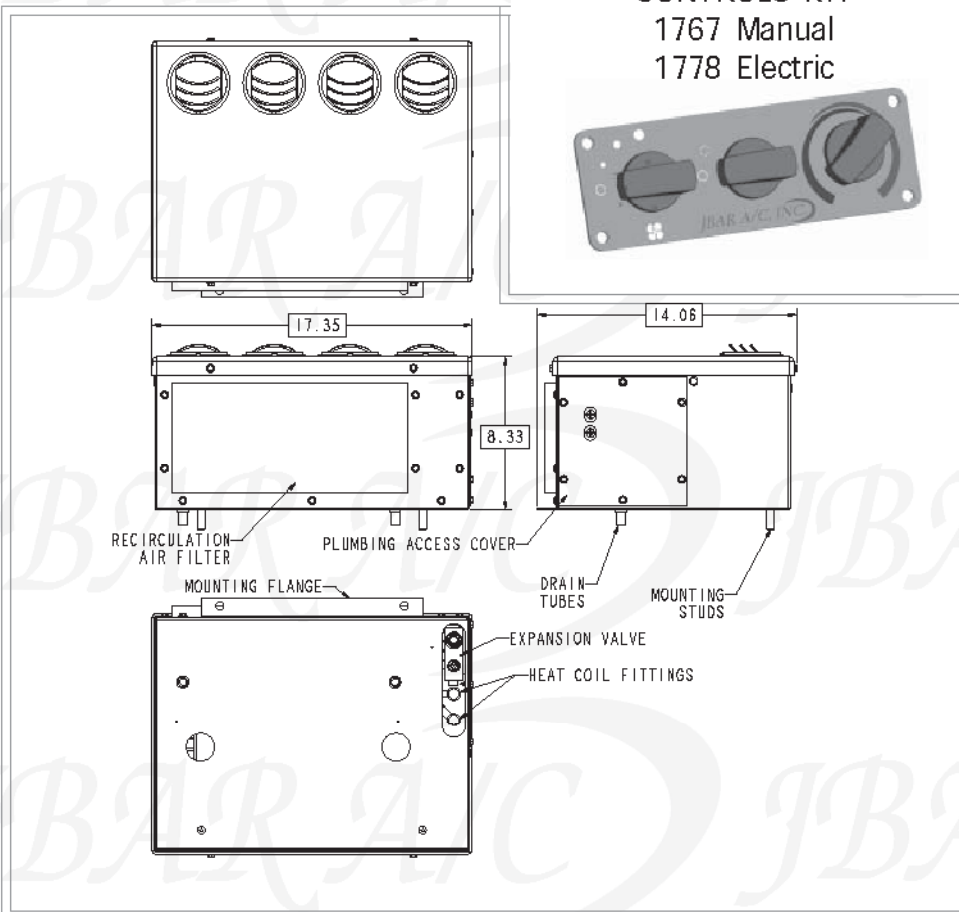
EE320-0-12	415
EE320-0-24	425
EE320-1-12	400
EE320-1-24	410

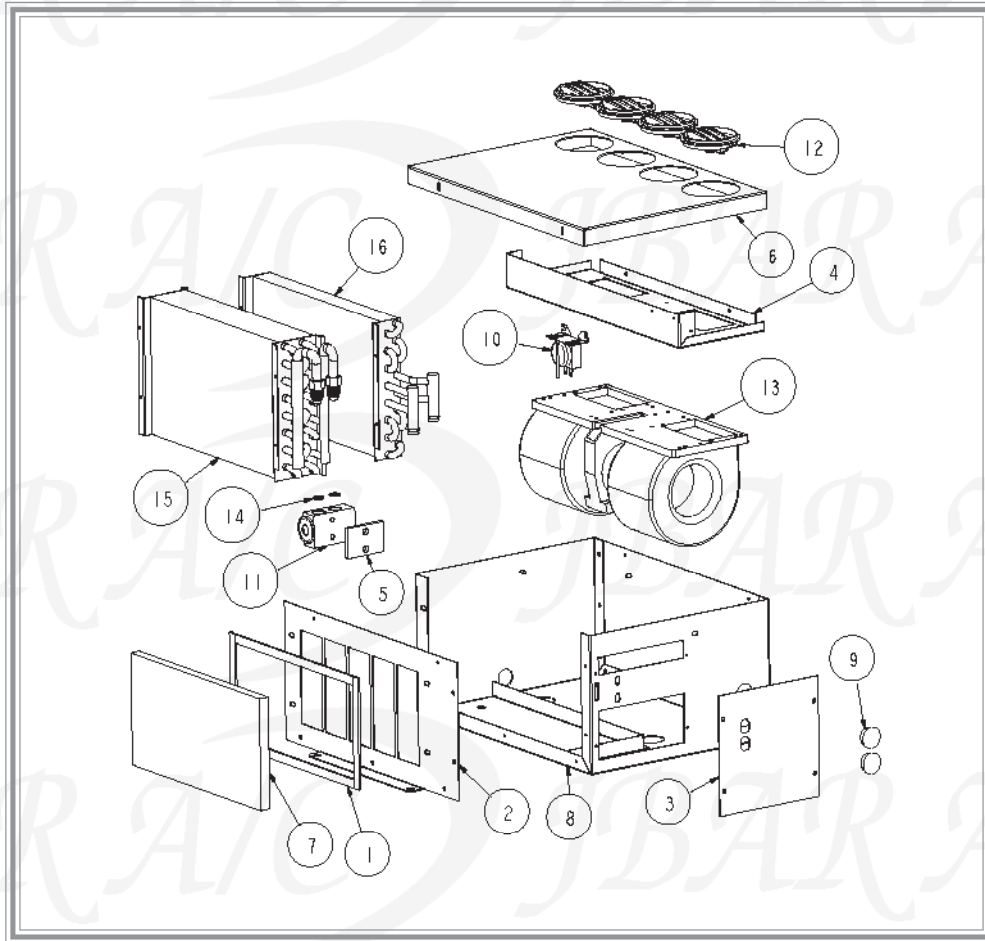
Max. Current (A)

EE320-0-12 @13.5 VDC	15.0
EE320-0-24 @27.0 VDC	8.5
EE320-1-12 @13.5 VDC	14.0
EE320-1-24 @27.0 VDC	7.5

Weight (Lbs.)

EE320-0	24
EE320-1	27





ITEM	PART #	DESCRIPTION
1	090239	AIR FILTER FASTENER
2	102967	FILTER PLATE
3	102968	ACCESS PLATE
4	102969	BLOWER MOUNT
5	102970	SPACER
6	103014	COVER
7	110484	AIR FILTER
8	203100	HOUSING
9	300460	HOLE PLUG, 1"
10	404968	THERMOSTAT
11	405017	EXPANSION VALVE
12	405687	LOUVER
13	405844	BLOWER, 12V
	405833	BLOWER, 24V
14	405863	O-RING, #8
15	406247	EVAPORATOR COIL
16	406248	*HEATER COIL

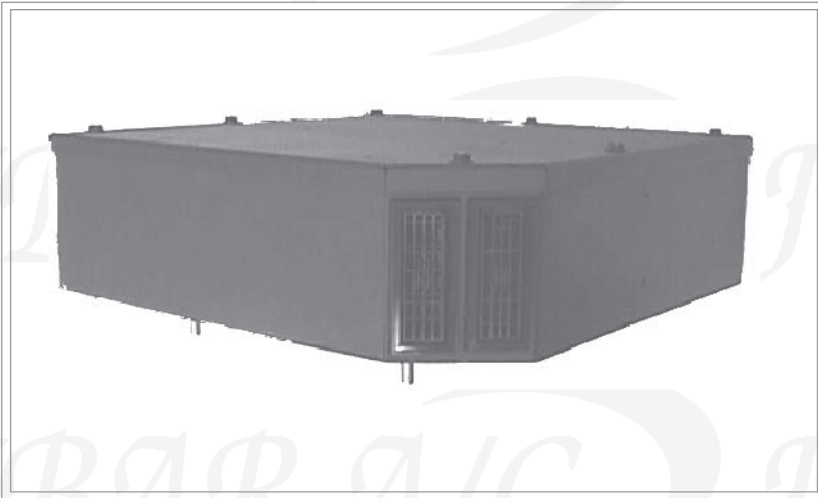
ITEMS NOT SHOWN

17	420340	WIRE HARNESS
----	--------	--------------

Model 5070

Heater/Air Conditioner Unit
Under Seat

"HIGH POWER, SEAT MOUNT"



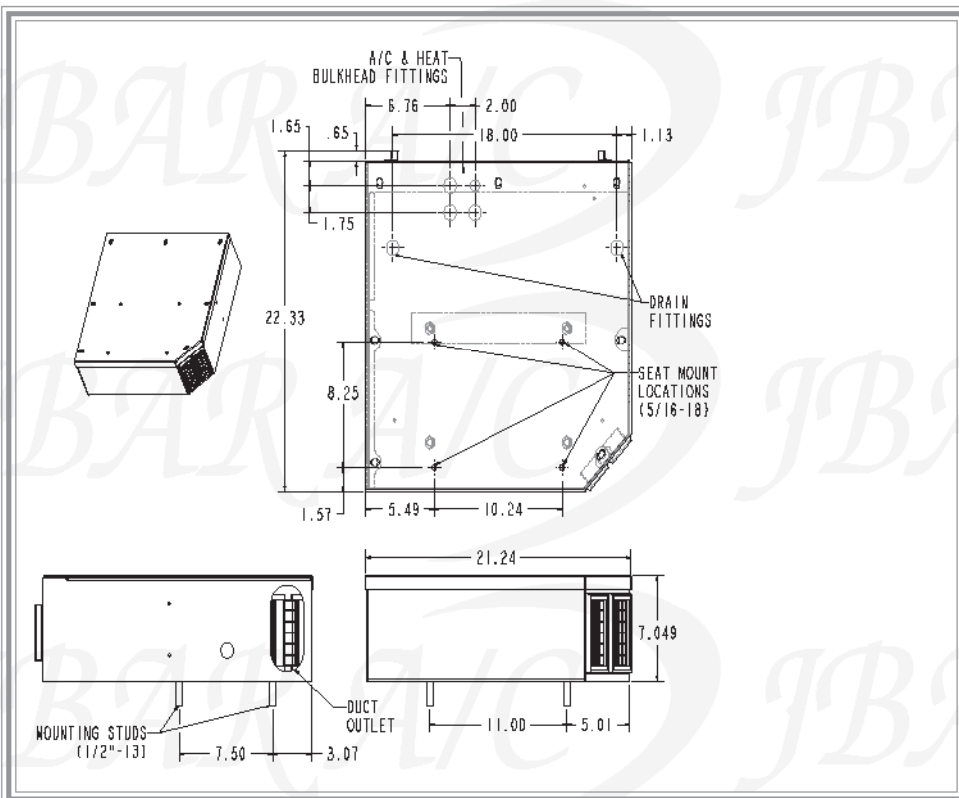
Model available...

503977	HTR-A/C	12 Volt
503639	HTR-A/C	24 Volt

The Model 5070 provides for a high capacity system and also a seat mounting platform. The structural integrity of the unit has surpassed all specified military test criteria for durability while making for a relatively easy installation.

With the multiple outlets, the 5070 will provide years of operator comfort and ultimate customer value.

The 503977 comes with a Universal control and air duct assembly.



Cooling (BTU/H)

503639 25,000

Heating (BTU/H)

503639 38,000

Airflow (SCFM)

503639 357

Max. Current (A)

503639 @ 27.0VDC 10.5

Weight (Lbs.)

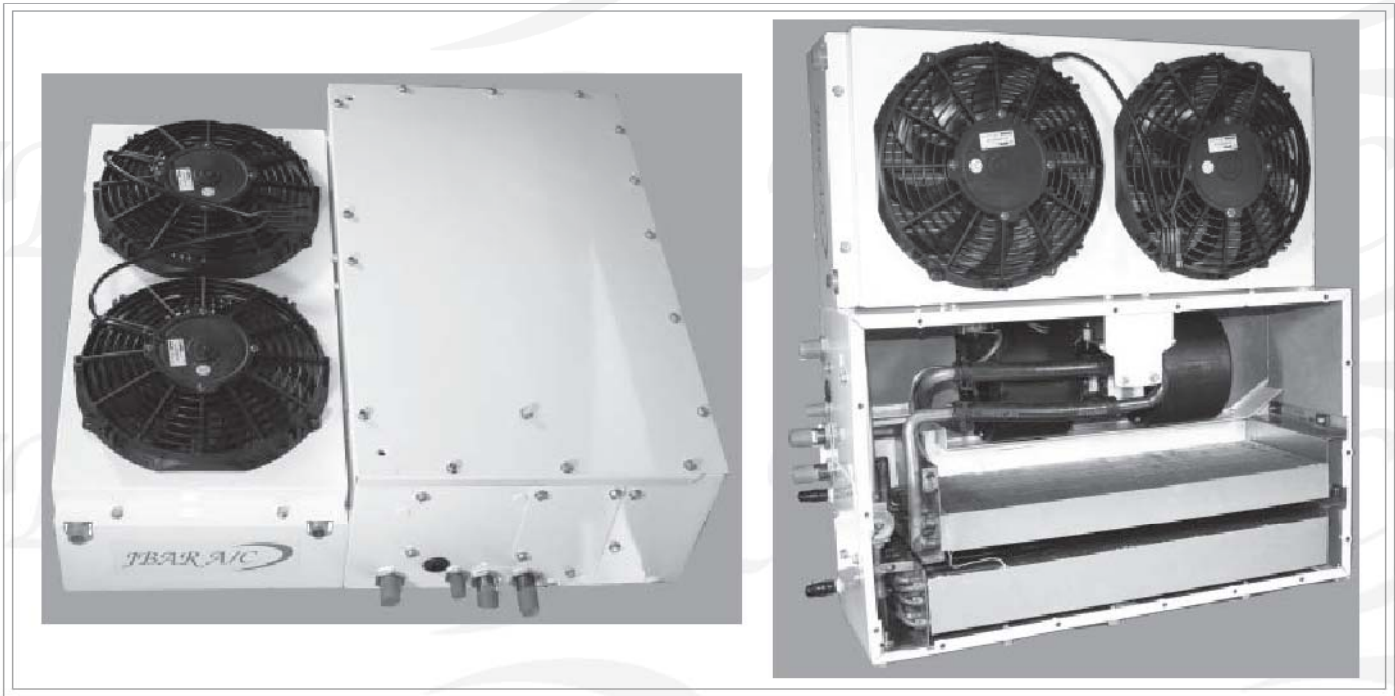
503639 48

NO ILLUSTRATION AVAILABLE

SERVICE PARTS LIST ONLY

ITEM	PART #	DESCRIPTION
1A	503013	BLOWER ASSY, 24V
	406025	BLOWER HOUSING
	404825	BLOWER MOTOR,DBL 5/16 SHFT,24V,2.93 OD,1 SP,CCW
1B	405844	BLOWER ASSY,12V
2	301159	CLAMP,SPRING,HOSE,5/8"
3	503716	COIL ASSY, EVAP TRACK
	405608	COIL,EVAP,2.5 X 6 X 16,4R
	405017	VALVE,EXP,BLOCK,#6-#10X#8-#8FIOR
4	405607	COIL,HEAT,T&F,2.25 X 6 X 16.00,3R,3C,12F
5	401835	COUPLING, HALF 1/4 NPT FEMALE
6	402332	FILTER,FOAM,FRAMED,17.00 X 4.00 X 0.50
7	110314	FOAM AIR SEAL,1/8" X 5" X 21"
8	110333	FOAM, FTG SEAL
9	110157	FOAM, HSG BOTTOM 20.50 X 2.50 X .750 THK
10	404154	FTG,90 DEG BULKHEAD,1/2 O-RING X 5/8 OD
11	402426	FTG,DR,PLASTIC,ST,1/4NPT MALE X 1/2"BARB
12	404710	GROMMET,RBR,0.56H,0.75OD,0.44ID,0.06GV
13	402336	GROMMET,RBR,1.00H,1.25OD,0.63ID,0.09GV
14	301245	GROMMET,RBR,1.00H,1.25OD,0.75ID,0.19GV
15	405626	HARDPLUMB, A/C LINE (3/8")
16	405627	HARDPLUMB, A/C LINE (5/8")
17	490078	HOSE ASSY, DRAIN TUBE 1/2" ID X 14.00"
18	405455	HOSE,HTR,5/8" ID,FORMED 90py,8" X 21"
19	404800	LOUVER ASSY,2.36 X 5.34 OUTSIDE,BLACK
20	202246	PAN WELD, DRAIN
21	405414	RESISTOR,CERAMIC,3 SPD,110 W,2.5 OHM X 2
22	405110	SWITCH,PRESSURE,HI,C/O 350 C/I 220
23	402219	SWITCH,PRESSURE,LOW,3PSI-CO,45PSI-RESET
24	404968	SWITCH,THERMOSTAT,PRESET,21" PROBE,30/36
25	403430	VALVE, CONDENSATE CHECK SOFT
26	202675	WELD BLOWER MOUNT
27	202673	WELD COVER
28	202676	WELD FILTER TRAY LH
29	202677	WELD FILTER TRAY RH
30	202672	WELD MAIN HOUSING,MODEL 5070
31	420195	WIRE HARNESS ASSY INTERNAL EVAP TO
32	430060	WIRE JUMPER ASSY (LIGHTED)

"TOPS IN PERFORMANCE"



DIMENSIONS	
EE420	26.0"W X 28.3"L X 8.5"H
EE425	26.0"W X 15.5"L X 8.5"H
PLASTIC CONSOLE DIMS : 28"W X 7"L X 0.5"D	

The NEW EE420 Series heavy duty roof top Heater/Air Conditioner leads the way in performance. Designed as a direct fit replacement for the CAT Wheel Loader Roof Top Unit along with several other applications from Cat and Kress.

With over 400 CFM of blowing power, this unit makes people cold!!! The durable construction of the EE420 Series is typical of the EE Series systems.

A special Optical White powder paint is used to further enhance the EE420 Series.

When the need arises for the premium Heavy Duty Roof Top in the market, ask for the EE420.

*The 406277 EVAPORATOR for the EE420 is a DROP IN Replacement for :
CAT 7G-3474
CAT 3P7992 (w/Oring to Flare adaptors #404129 & 404130)*

Models available...

EE420-0-12	W/CONDENSER A/C Only	12 Volt
EE420-0-24	W/CONDENSER A/C Only	24 Volt
EE420-1-12	W/CONDENSER HTR-A/C	12 Volt
EE420-1-24	W/ CONDENSER HTR-A/C	24 Volt
EE425-0-12	W/O CONDENSER A/C Only	12 Volt
EE425-0-24	W/O CONDENSER A/C Only	24 Volt
EE425-1-12	W/O CONDENSER HTR-A/C	12 Volt
EE425-1-24	W/O CONDENSER HTR-A/C	24 Volt

Cooling (BTU/H)

EE420-0-12	27,500
EE420-0-24	28,000
EE420-1-12	26,000
EE420-1-24	28,000

Heating (BTU/H)

EE420-1-12	47,963
EE420-1-24	50,235
EE420-1-12	47,963
EE420-1-24	50,235

*Need to order Inlet Filter Option

Airflow (SCFM)

EE420-0-12	415
EE420-0-24	425
EE420-1-12	400
EE420-1-24	410

Weight (Lbs.)

EE420-0	53
EE420-1	60
EE425-0	35
EE425-1	42

Inlet Filter Options

1817	Recirc Only - Rooftop
1818	Rec/Fresh Air - Rooftop
1819	Recirc Only - Vertical
1820	Rec/Fresh Air - Vertical
EE420-3	Heater Upgrade Kit
EE425-4-12	Condenser Upgrade Kit, 12 V
EE425-4-24	Condenser Upgrade Kit, 24 V

Max. Current (A)

EE420-0-12	@13.5 VDC	32.0
EE420-0-24	@27.0 VDC	17.6
EE420-1-12	@13.5 VDC	29.0
EE420-1-24	@27.0 VDC	16.0
EE425-0-12	@13.5 VDC	18.4
EE425-0-24	@27.0 VDC	10.1
EE425-1-12	@13.5 VDC	17.5
EE425-1-24	@27.0 VDC	9.0

*All figures are estimates

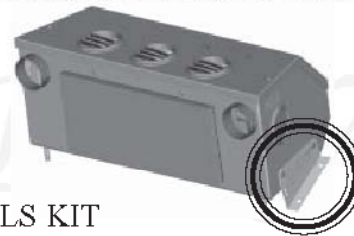
"PUT ONE ON YOUR SHELF"



Models available...

EE1120-0-12	A/C Only	12 Volt
EE1120-0-24	A/C Only	24 Volt
EE1120-1-12	Htr-A/C	12 Volt
EE1120-1-24	Htr-A/C	24 Volt

1765 MOUNTING KIT for EE1120



CONTROLS KIT
1767 Manual
1778 Electric 12V
1787 Electric 24V

1763 DUCT KIT



The EE1120 is the one you've been waiting for in the mini market; a compact shelf mounted unit that offers a heat option. The EE1120 is designed for ease of installation and serviceability of all major components. The removable recirculation air filter provides clean air for the operator. The Optional Duct Kit provides for direct airflow on the operator's face.

This is one unit you **MUST** keep on your shelf!

1766 BLOCK VALVE EXTENSION KIT

Cooling (BTU/H)

EE1120-0-12	19,800
EE1120-0-24	20,100
EE1120-1-12	18,500
EE1120-1-24	18,750

Heating (BTU/H)

EE1120-1-12	26,000
EE1120-1-24	26,500

Airflow (SCFM)

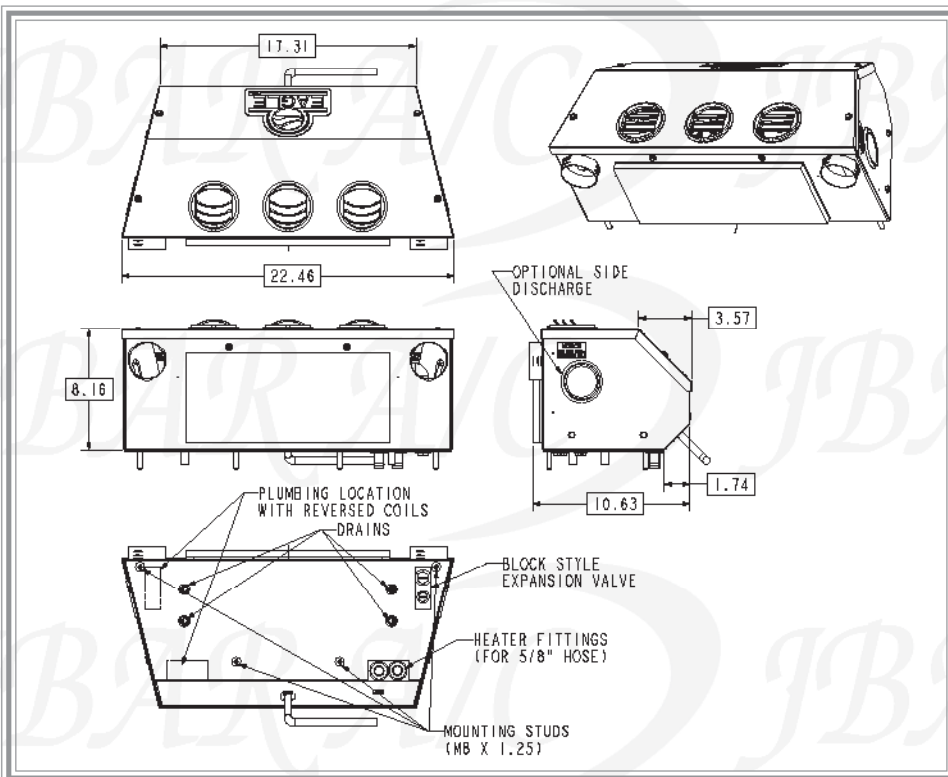
EE1120-0-12	255
EE1120-0-24	268
EE1120-1-12	235
EE1120-1-24	246

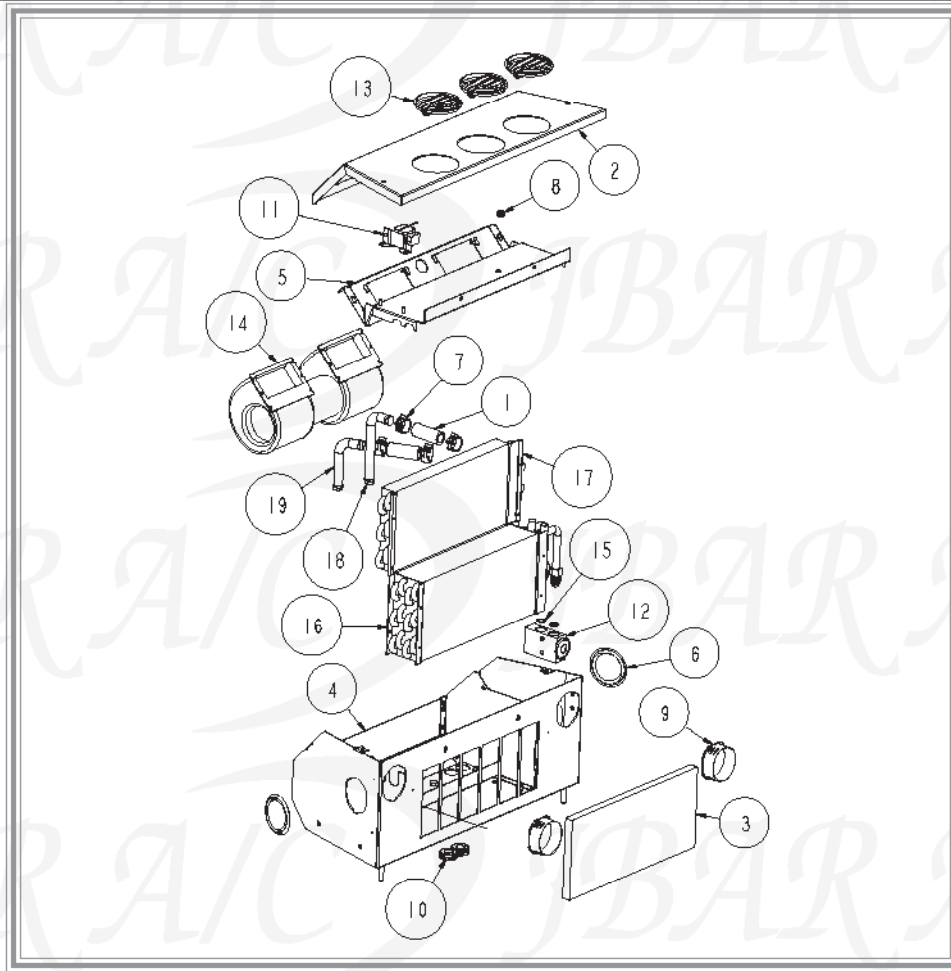
Weight (Lbs.)

EE1120-0	38
EE1120-1	44

Max. Current (A)

EE1120-0-12 @13.5 VDC	13.2
EE1120-0-24 @27.0 VDC	7.4
EE1120-1-12 @13.5 VDC	18.0
EE1120-1-24 @27.0 VDC	7.8





ITEM PART # DESCRIPTION

1	090016	*HEATER HOSE,5/8" ID
2	102957	COVER
3	110485	FILTER
4	203080	HOUSING
5	203081	BLOWER MOUNT BRKT
6	300639	HOLE PLUG, 2-1/2"
7	301159	*HOSE CLAMP,5/8"
8	301397	GROMMET,9/32" ID
9	402223	DUCT ADAPTOR,2-1/2"
10	402336	*GROMMET,5/8" ID

ITEM PART # DESCRIPTION

11	404968	THERMOSTAT
12	405017	EXPANSION VALVE
13	405687	LOUVER,3-3/8" OD
14	405843	BLOWER,12V
	405842	BLOWER,24V
15	405863	O-RING,#08
16	406128	COIL,EVAP
17	406190	*COIL,HEAT
18	406195	*HEATER FTG,5.12 X 1.75
19	406196	*HEATER FTG,3.52 X 1.75

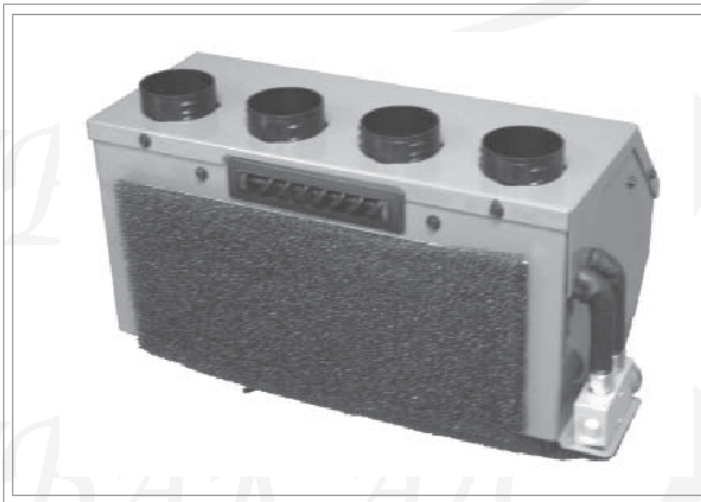
ITEMS NOT SHOWN

ITEM PART # DESCRIPTION

20	420336	WIRE HARNESS
21	090223	DRAIN HOSE (1/2")
22	405785	DRAIN FTG, REDUCER
23	403430	DRAIN CHECK VALVE

* ITEMS ONLY SUPPLIED WITH A/C UNITS

"SLIM DOWN"



Models available...

EE1125-0-12	A/C Only	12 Volt	Duct Adaptors
EE1125-0-24	A/C Only	24 Volt	Duct Adaptors
EE1125-1-12	Htr-A/C	12 Volt	Duct Adaptors
EE1125-1-24	Htr-A/C	24 Volt	Duct Adaptors
EE1125-3-12	A/C Only	12 Volt	Louvers
EE1125-3-24	A/C Only	24 Volt	Louvers
EE1125-4-12	Htr-A/C	12 Volt	Louvers
EE1125-4-24	Htr-A/C	24 Volt	Louvers

The EE1125 is a slimmer version of the EE1120. Designed to fit in more compact spaces. The EE 1125 has either four(4) louvers or four(4) - 2 1/2" duct adaptors at the top of the unit for distribution of air in the cab.

Cooling (BTU/H)

EE1125-0-12	19,800
EE1125-0-24	20,100
EE1125-1-12	18,500
EE1125-1-24	18,750

Heating (BTU/H)

EE1125-1-12	26,000
EE1125-1-24	26,500

Airflow (SCFM)

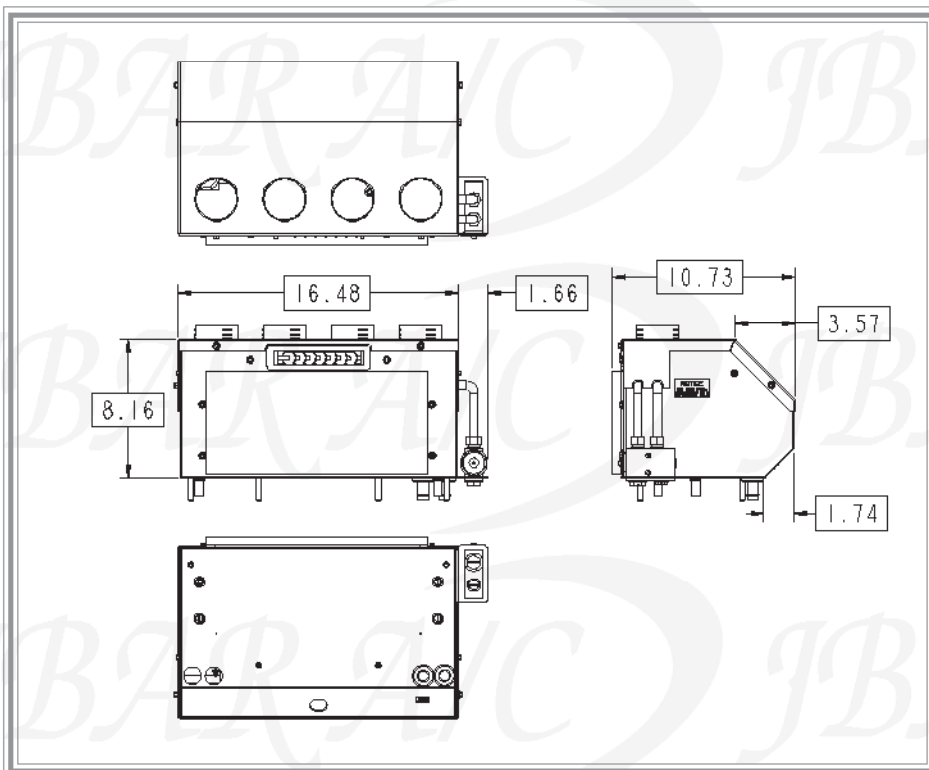
EE1125-0-12	255
EE1125-0-24	268
EE1125-1-12	235
EE1125-1-24	246

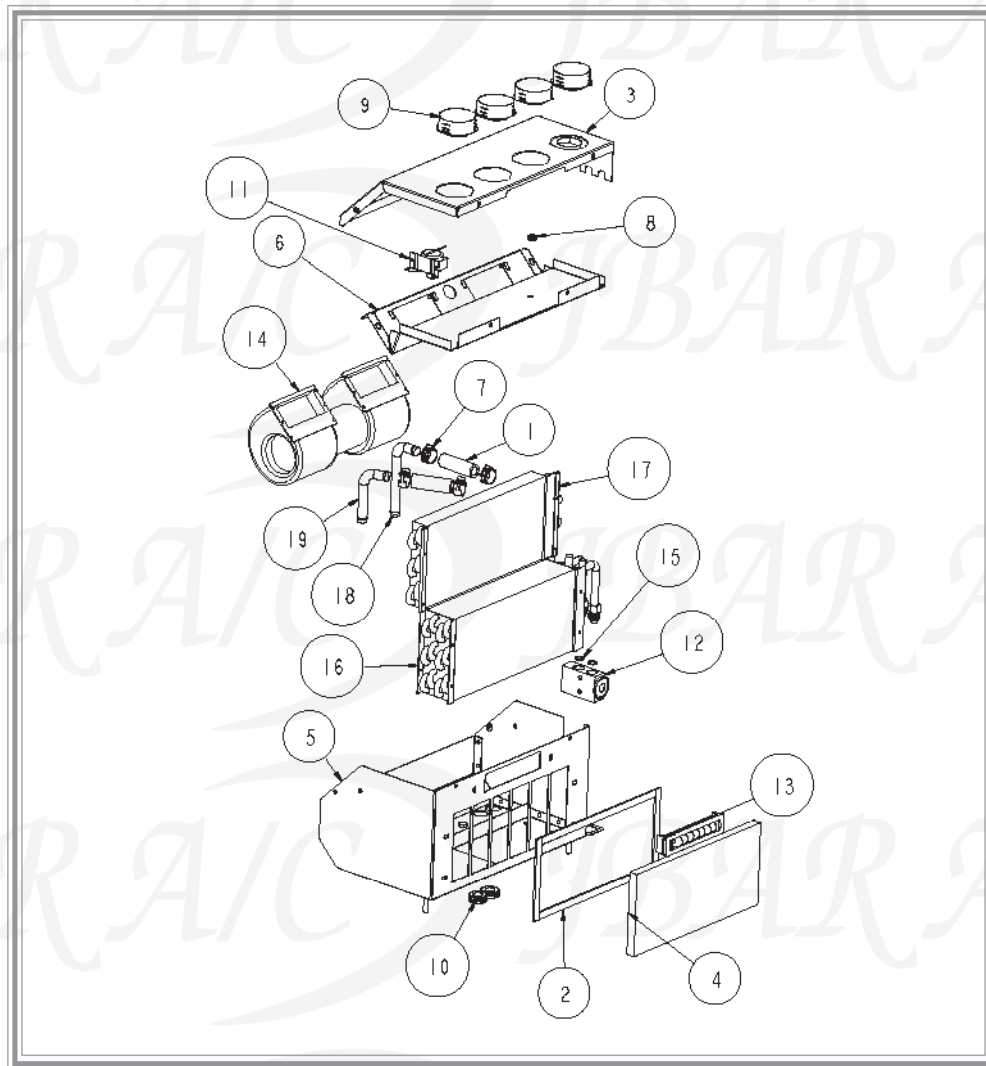
Weight (Lbs.)

EE1125-0	38
EE1125-1	44

Max. Current (A)

EE1125-0-12 @13.5 VDC	13.2
EE1125-0-24 @27.0 VDC	7.4
EE1125-1-12 @13.5 VDC	18.0
EE1125-1-24 @27.0 VDC	7.8





ITEM PART # DESCRIPTION

1	090016	*HEATER HOSE,5/8" ID
2	090239	FILTER FASTENER
3	103007	COVER
4	110498	FILTER
5	203127	HOUSING
6	203128	BLOWER MOUNT BRKT
7	301159	*HOSE CLAMP,5/8"
8	301397	GROMMET,9/32" ID
9	402223	DUCT ADAPTOR,2-1/2"
10	402336	*GROMMET,5/8" ID

ITEM PART # DESCRIPTION

11	404968	THERMOSTAT
12	405017	EXPANSION VALVE
13	405450	LOUVER, RECTANGULAR
14	405843	BLOWER,12V
	405842	BLOWER,24V
15	405863	O-RING,#08
16	406128	COIL, EVAP
17	406190	*COIL, HEAT
18	406195	*HEATER FTG,5.12 X 1.75
19	406196	*HEATER FTG,3.52 X 1.75

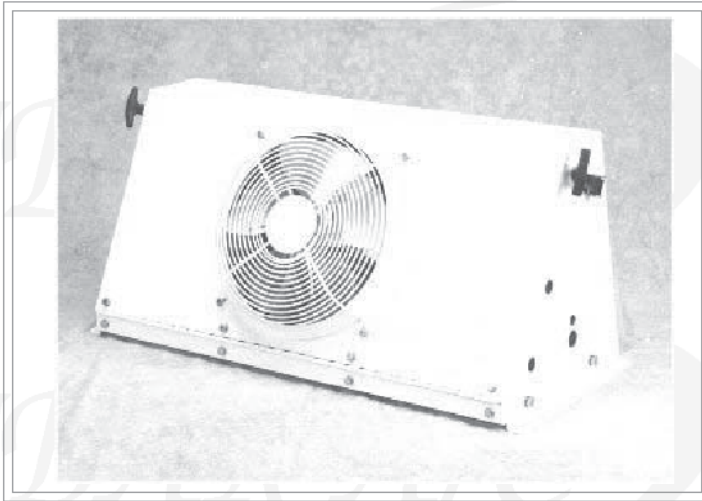
ITEMS NOT SHOWN

ITEM PART # DESCRIPTION

20	420369	WIRE HARNESS
21	090223	DRAIN HOSE (1/2")
22	405785	DRAIN FTG, REDUCER
23	403430	DRAIN CHECK VALVE

* ITEMS ONLY SUPPLIED WITH A/C UNITS

"ONCE AGAIN THE EDGE!"



Models available...

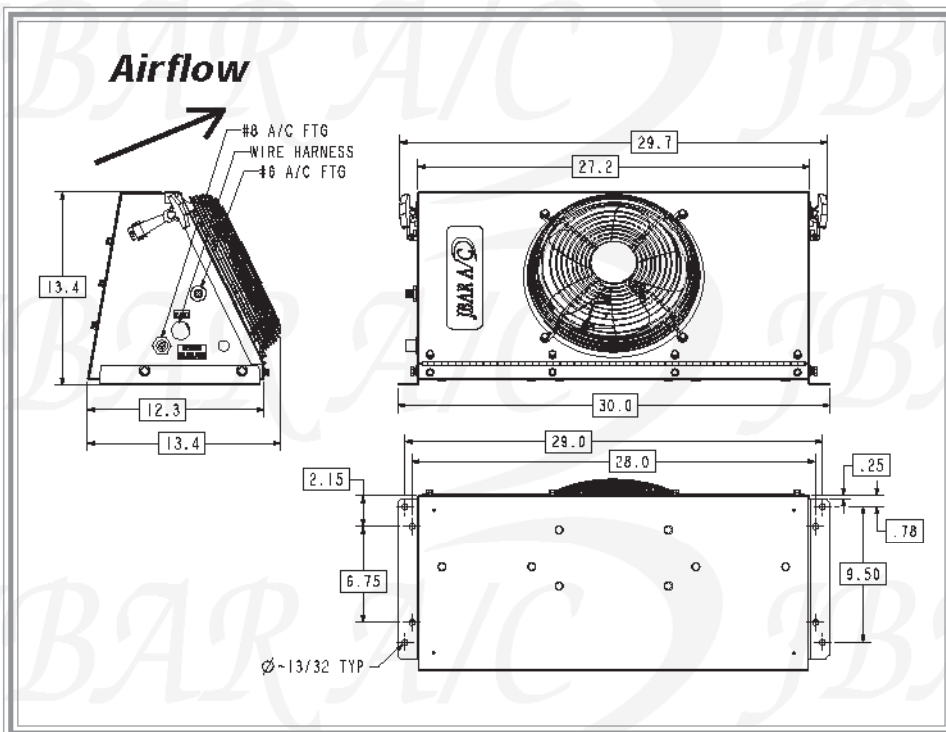
EE601-1-12	Condenser w/Drier	12 Volt
EE601-1-24	Condenser w/Drier	24 Volt
EE601-2-12	Condenser w/Drier Reversed	12 Volt
EE601-2-24	Condenser w/Drier reversed	24 Volt

DROP IN REPLACEMENT FOR THE R-9720

The "EDGE" condenser is a high capacity powered condenser system designed to provide maximum customer satisfaction.

Features include : A binary switch & wider "user friendly" mounting brackets

It has versatile mounting configurations to fit multiple applications while providing a higher level of reliability through the use of a stainless steel hinge configuration. Also standard is a spring loaded receiver/drier for high reliability.



Capacity (BTU/H)

EE601-1-12	31,500
EE601-1-24	32,288

Airflow (SCFM)

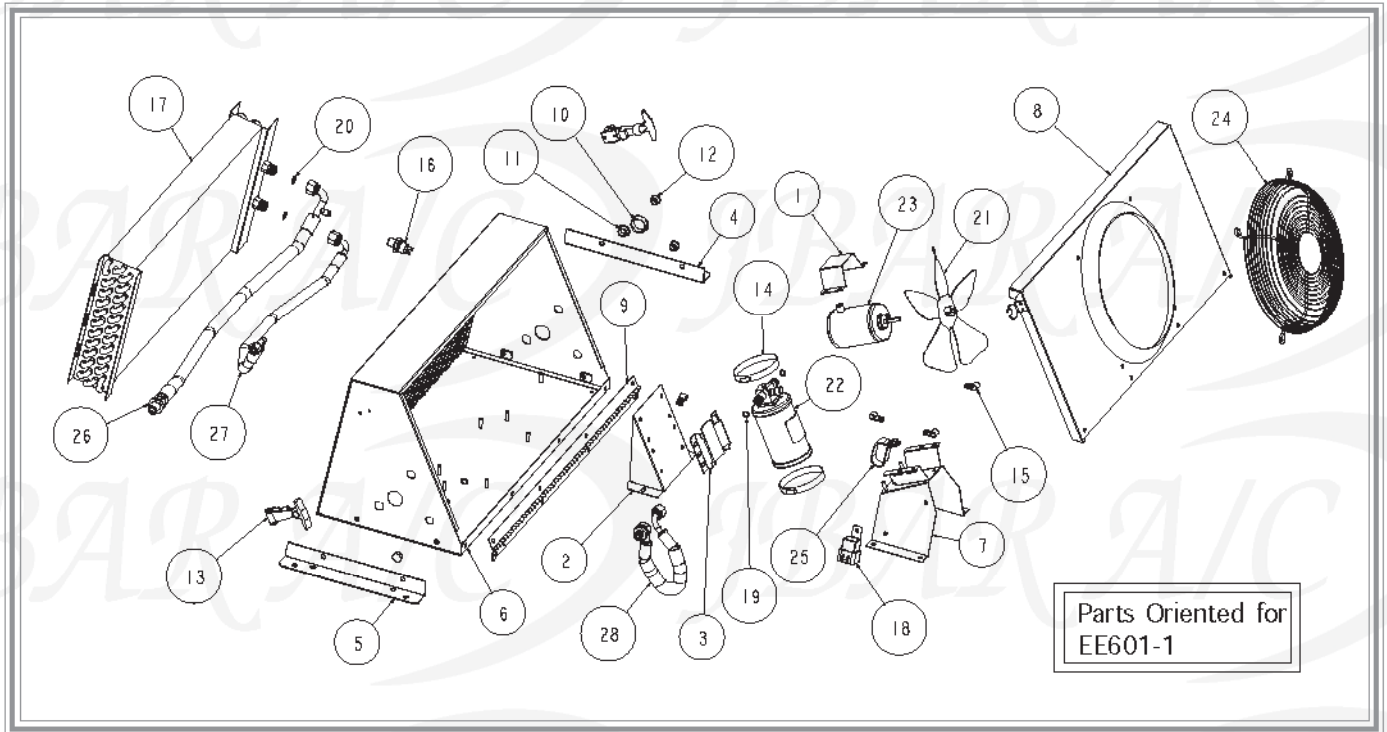
EE601-1-12	775
EE601-1-24	775

Weight (Lbs.)

EE601-1	50
---------	----

Max. Current (A)

EE601-1-12 @13.5 VDC	10.7
EE601-1-24 @27.0 VDC	5.9



ITEM PART # DESCRIPTION

1	102869	MOTOR CLAMP BRKT
2	102932	DRIER MOUNT BRKT
3	102933	DRIER CLAMP BRKT
4	102944	MOUNT ANGLE - R.S.
5	102945	MOUNT ANGLE - L.S.
6	203013	MAIN HOUSING
7	203015	FAN MOTOR MOUNT
8	203016	COVER
9	203017	HINGE
10	300459	HOLE PLUG, 1-1/4"
11	300461	HOLE PLUG, 3/4"
12	300846	HOLE PLUG, 5/8"
13	301330	LATCH HANDLE
14	400468	SCREW CLAMP, DRIER
15	404575	CLAMP, WIRE HARNESS

ITEM PART # DESCRIPTION

16	405111	BINARY SWITCH
17	405816	CONDENSER COIL
18	405828	RELAY,12V
	405829	RELAY,24V
19	405862	O-RING, #6, HNBR
20	405863	O-RING, #8, HNBR
21	405870	FAN PROPELLER
22	406188	RECEIVER / DRIER
23	450727	MOTOR, 12V
	450754	MOTOR, 24V
24	450750	FAN GUARD
25	450755	HOSE GUIDE
26	490655	HOSE, A/C, #8
27	490656	HOSE, A/C, #6 (DRIER)
28	490667	HOSE, A/C, #6 (DRIER-BH)

ITEMS NOT SHOWN

29	420355	WIRE HARNESS
30	406413	GROMMET (FOR HARNESS)

"THE DUAL EDGE!"



Models available...

EE605-1-12	Condenser w/Drier	12 Volt
EE605-1-24	Condenser w/Drier	24 Volt

**DROP IN REPLACEMENT FOR
THE R-9720**

***** IN-LINE DRIER *****

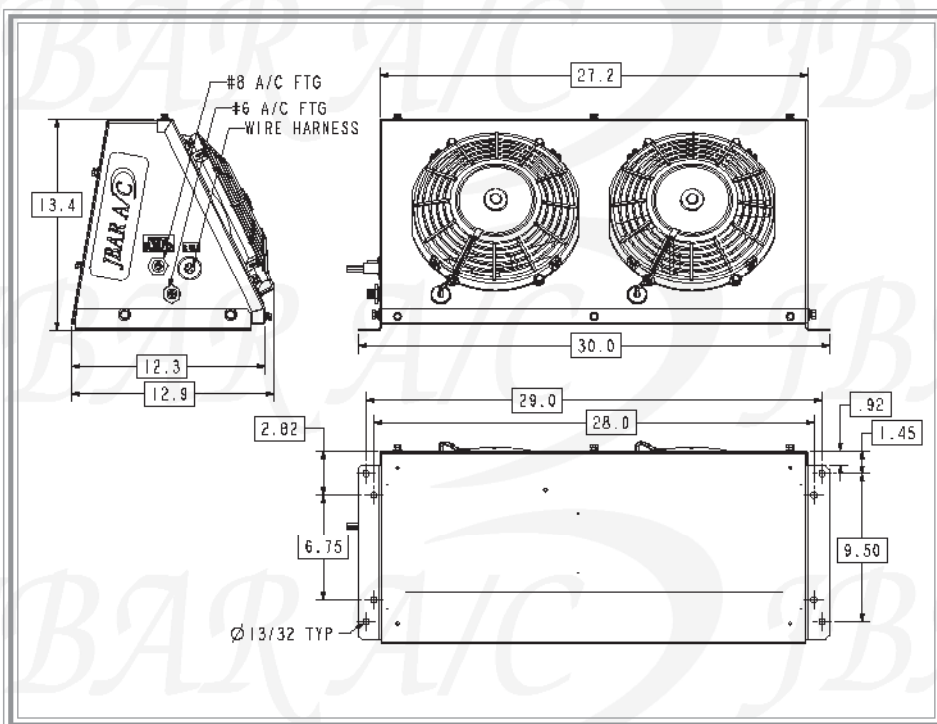
The "DUAL EDGE" condenser is a high capacity powered condenser system designed to provide maximum customer satisfaction.

Features include : A binary switch & wider "user friendly" mounting brackets.

In-Line Drier allows for multiple mounting configurations without reconfiguring the A/C plumbing.

It has versatile mounting configurations to fit multiple applications while providing a higher level of reliability through the use of high performance SPAL fans .

MORE CONDENSER PERFORMANCE FOR YOUR MONEY!!!



Capacity (BTU/H)

EE605-1-12	32,900
EE605-1-24	33,500

Airflow (SCFM)

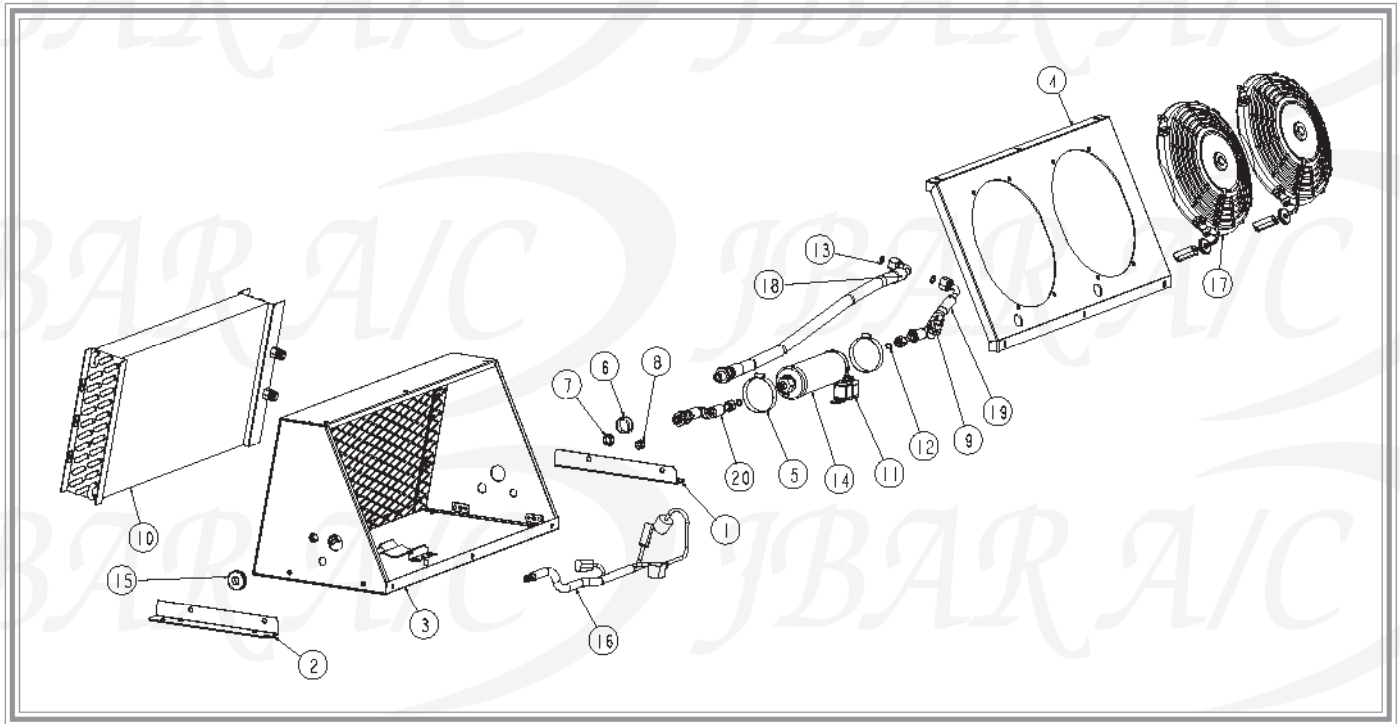
EE605-1-12	1100
EE605-1-24	1150

Weight (Lbs.)

EE605-1	50
---------	----

Max. Current (A)

EE605-1-12 @13.5 VDC	14.0
EE605-1-24 @27.0 VDC	8.2



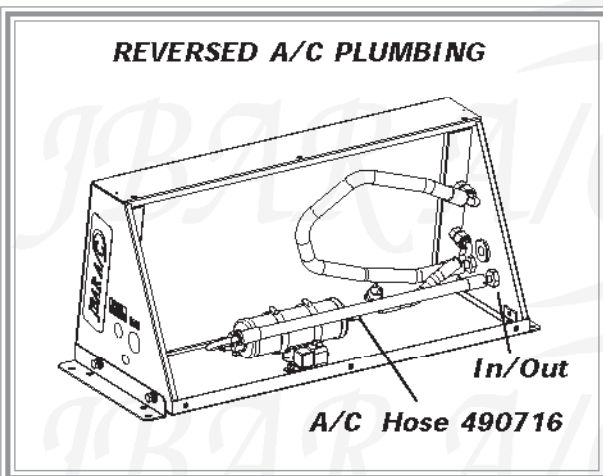
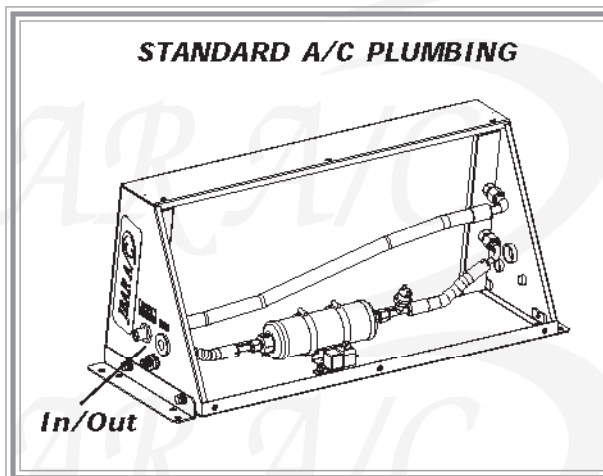
ITEM PART # DESCRIPTION

- 1 102944 MOUNT ANGLE - R.S.
- 2 102945 MOUNT ANGLE - L.S.
- 3 203160 MAIN HOUSING
- 4 203161 COVER
- 5 300048 SCREW CLAMP, DRIER
- 6 300459 HOLE PLUG, 1-1/4"
- 7 300461 HOLE PLUG, 3/4"
- 8 300846 HOLE PLUG, 5/8"
- 9 405111 BINARY SWITCH
- 10 405816 CONDENSER COIL
- 11 405828 RELAY,12V
405829 RELAY,24V

ITEM PART # DESCRIPTION

- 12 405862 O-RING, #6, HNBR
- 13 405863 O-RING, #8, HNBR
- 14 406227 RECEIVER / DRIER
- 15 406413 GROMMET
- 16 420373 WIRE HARNESS
- 17 450809 FAN,12V
450810 FAN,24V
- 18 490713 HOSE,A/C,#8
- 19 490714 HOSE,A/C,#6 (COND-DRIER)
- 20 490715 HOSE,A/C,#6 (DRIER-BH)

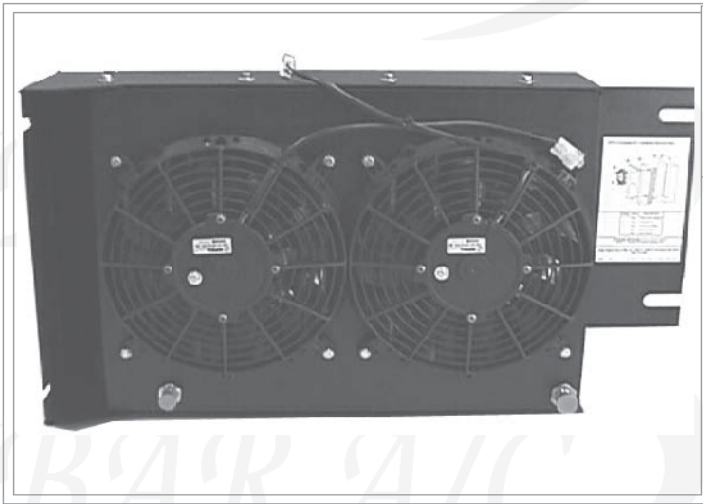
Optional a/c hose 490716 moves the plumbing to the other end of the unit



"EE300 TEAMMATE"

Models available...

EE610-0-12	Condenser w/o Drier	12 Volt
EE 610-0-24	Condenser w/o Drier	24 Volt

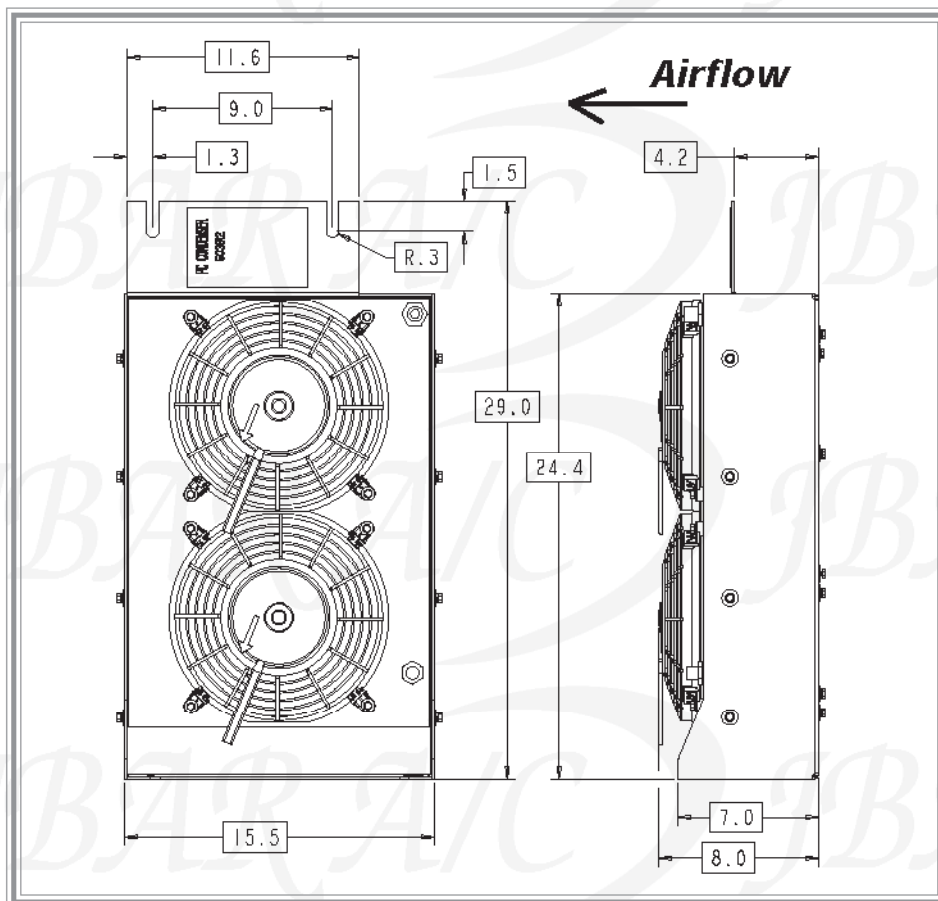


The high powered remote mount condenser for the Komatsu PC Series Excavators is designed to perform with the EE300 PC PLUS Series Htr-A/C Unit.

The EE610 fits the 300-450 series excavators. The heavy gage welded steel construction is durable enough for all off-highway applications.

Two powerful fans pull the air through the condenser for peak performance.

The condenser is designed to be vertically mounted.



Capacity (BTU/H)

EE610-0-24 42,557

Airflow (SCFM)

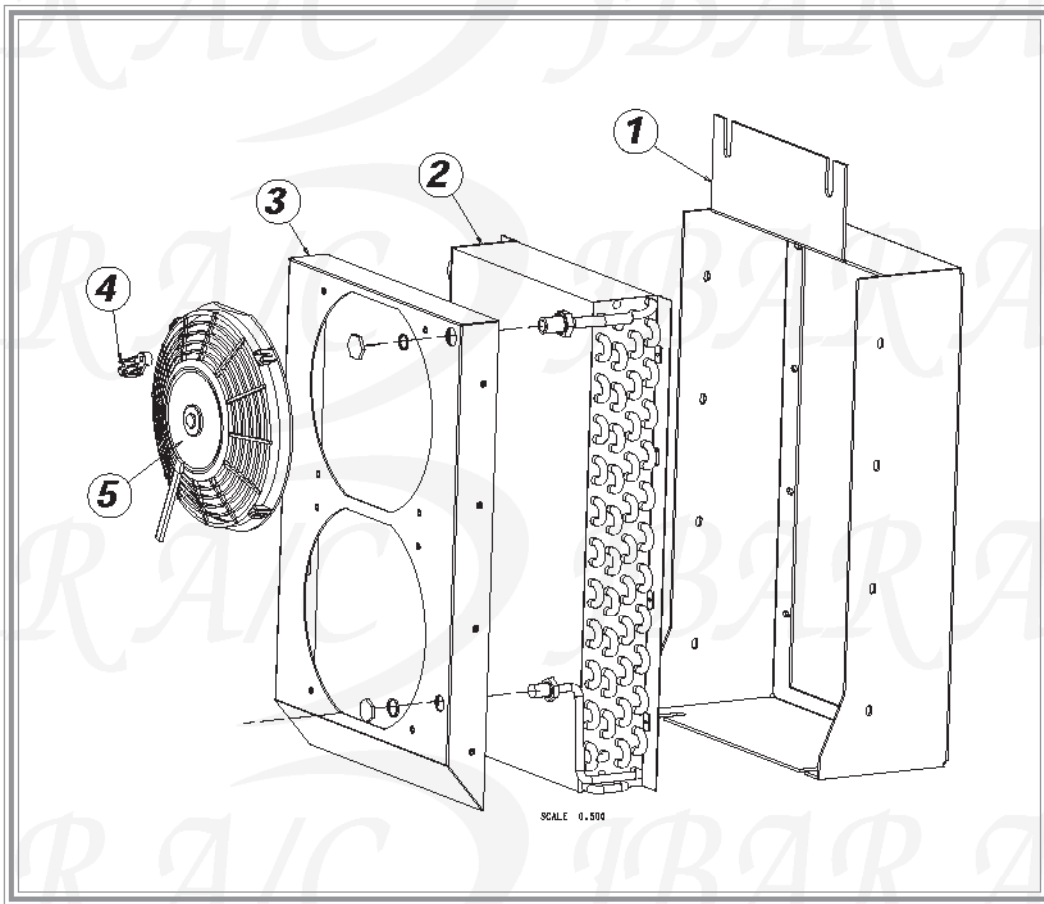
EE610-0-24 1115

Weight (Lbs.)

EE610-0 47

Max. Current (A)

EE610-0-24 @27.0 VDC 8.2



ITEM	PART #	DESCRIPTION
1	203022	COND SUPPORT HOUSING
2	405786	CONDENSER COIL
3	202023	COND FAN MTG BRKT
4	405832	FOOT,FAN MOUNT
5	405831	FAN,10" PULLER

"THE MINI SOLUTION"



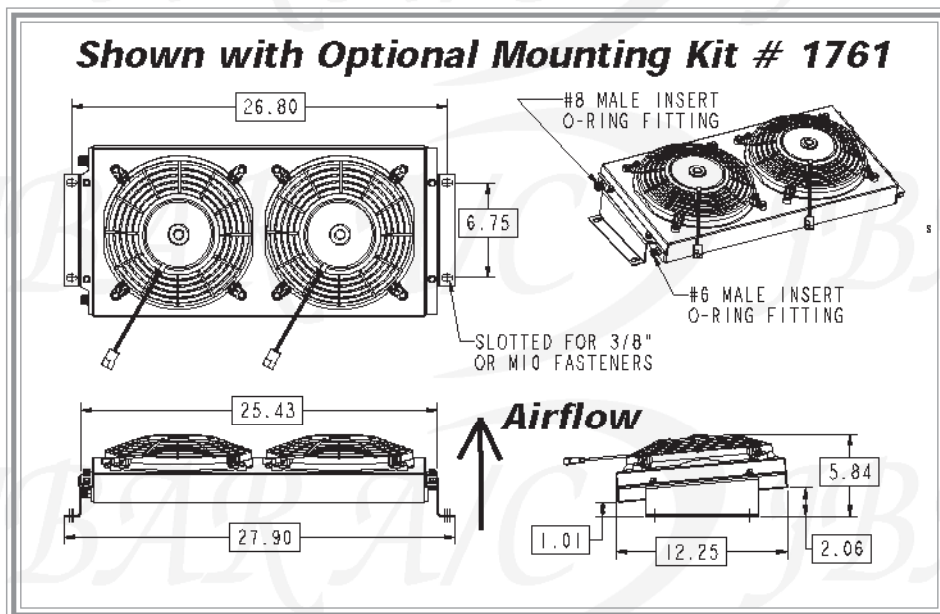
Models available...

EE621-0-12	Condenser w/o Drier	12 Volt
EE621-0-24	Condenser w/o Drier	24 Volt
1761	Mounting Kit-Angled	
1794	Mounting Kit-Straight	

The new "SLIM EDGE" condenser is a high capacity powered condenser system designed to provide maximum customer satisfaction in a minimized package.

The multi-flow condenser provides the highest level of performance available in such a small size. Designed to fit on the deck of most Skid Steer applications; this unit provides the condensing capacity needed, while not allowing size to become an issue.

Shown with the optional mounting kit #1761.



Capacity (BTU/H)

EE621-0-12	29,750
EE621-0-24	29,750

Airflow (SCFM)

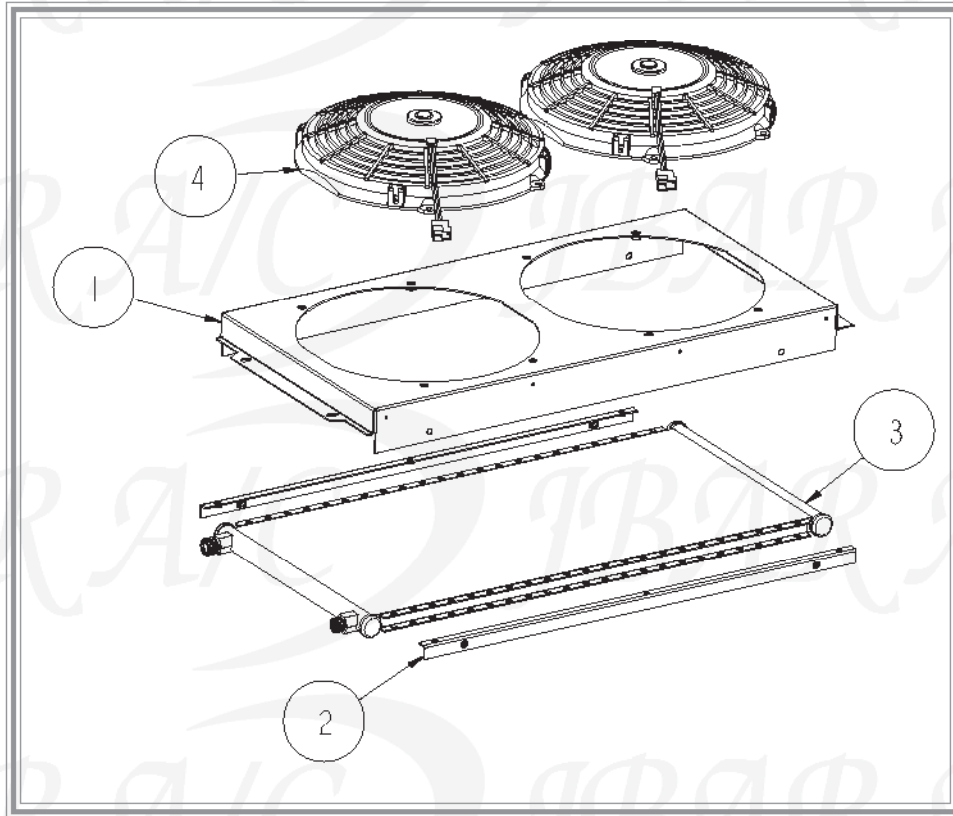
EE621-0-24	1040
------------	------

Weight (Lbs.)

EE621-0	16
---------	----

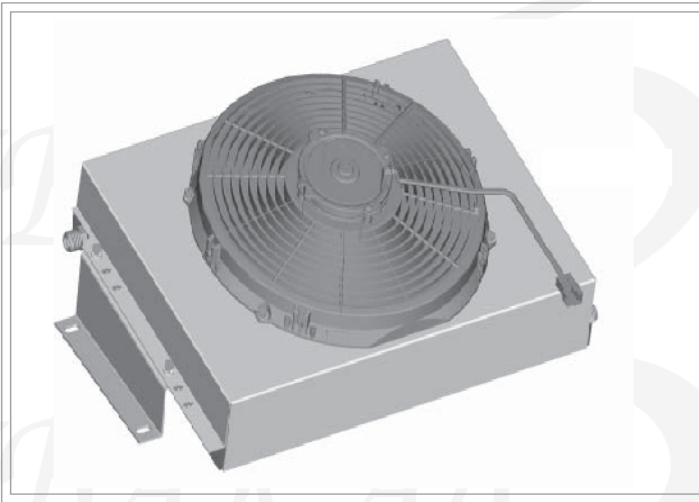
Max. Current (A)

EE621-0-12 @13.5 VDC	18.8
EE621-0-24 @27.0 VDC	8.6



ITEM	PART #	DESCRIPTION
1	203176	HOUSING
2	203177	COIL BRACKET
3	407368	CONDENSER COIL
4	406060	FAN, 12V
	405831	FAN, 24V

"THE SLIM SINGLE"



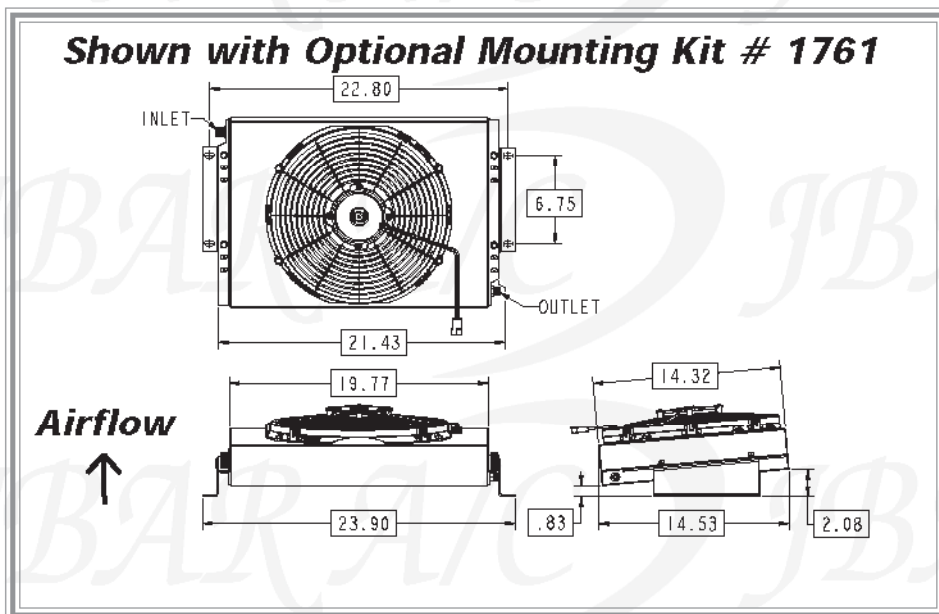
Models available...

EE630-0-12	Condenser w/o Drier	12 Volt
EE630-0-24	Condenser w/o Drier	24 Volt
EE630-3-12	Condenser w/ Bracket	12 Volt
EE630-3-24	Condenser w/Bracket	24 Volt
1761	Mounting Kit-Angled	
1794	Mounting Kit-Straight	

The new "SLIM SINGLE" condenser is a high capacity powered condenser system designed to provide maximum customer satisfaction in a minimized package.

The multi-flow condenser provides the highest level of performance available in such a small size. Designed to fit on the deck of most COMPACT EQUIPMENT applications; this unit provides the condensing capacity needed, while not allowing size to become an issue.

Shown with the optional mounting kit #1761.



Capacity (BTU/H)

EE630-0-12	25,000
EE630-0-24	25,000

Airflow (SCFM)

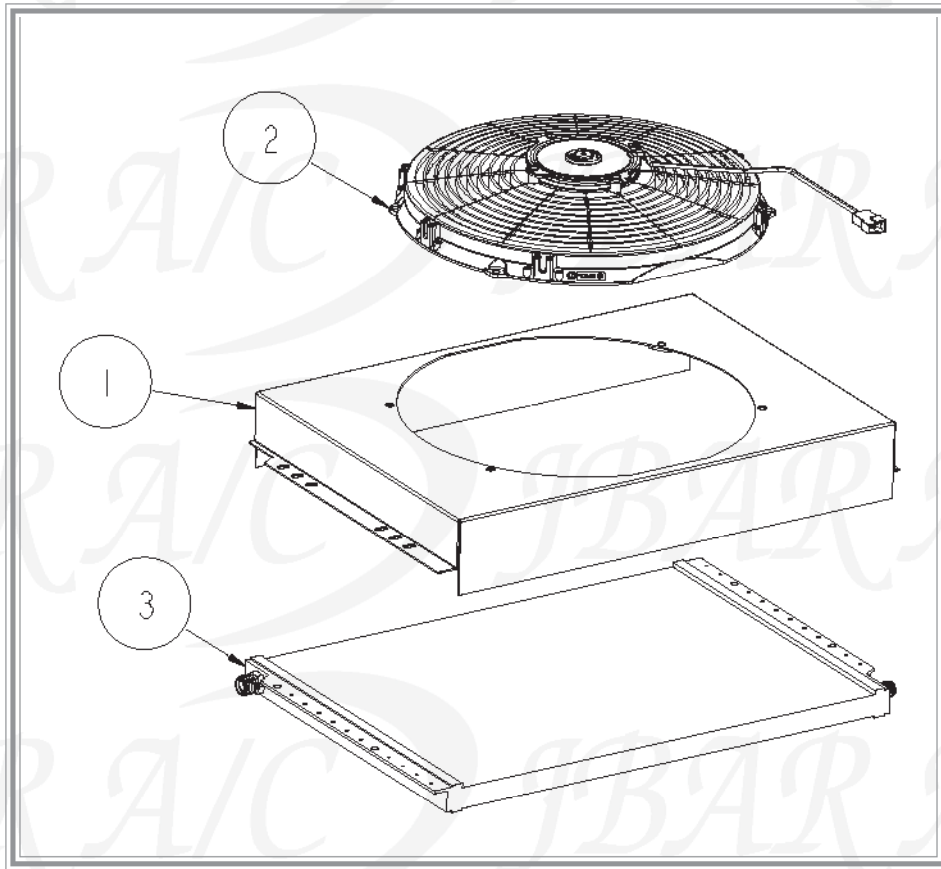
EE630-0-24	750
------------	-----

Weight (Lbs.)

EE630-0	16
---------	----

Max. Current (A)

EE630-0-12 @13.5 VDC	10.7
EE630-0-24 @27.0 VDC	5.4



ITEM	PART #	DESCRIPTION
1	203144	HOUSING
2	406519	FAN, 12V
	406520	FAN, 24V
3	450799	CONDENSER COIL

"THE BUS"



Models available...

EE640-0-12	Condenser w/o Drier	12 Volt
EE640-0-24	Condenser w/o Drier	24 Volt

"THE BUS" condenser is a super high capacity powered condenser system designed to provide maximum customer satisfaction via a three fan system. Made with durable 14 ga steel and welded corners, this condenser will withstand the harshest environments. An optional screen is available for additional protection of the condenser.

The extra large condenser provides the highest level of performance available in such a small size. When a Dual Evaporator system is used call on "THE BUS" to meet your condensing needs.

28" W X 14" H X 6.5" D

Capacity (BTU/H)

EE640-0-12	45,000
EE640-0-24	46,500

Airflow (SCFM)

EE640-0-12	1680
EE640-0-24	1750

Weight (Lbs.)

EE640-0	56
---------	----

Max. Current (A)

EE640-0-12 @13.5 VDC	21.5
EE640-0-24 @27.0 VDC	12.4

"MULTIPLE OE STYLE MOUNTING OPTIONS"

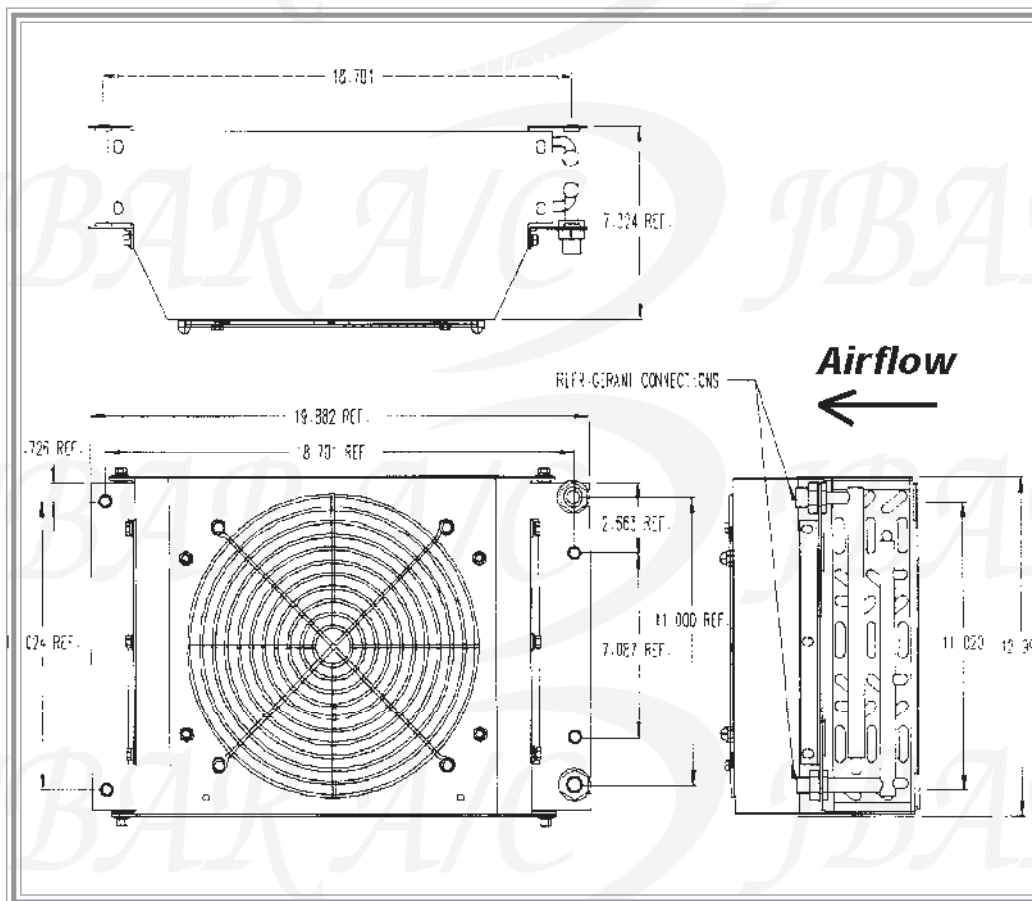


Models available...

503381 Condenser w/o Drier	12 Volt
503295 Condenser w/o Drier	24 Volt
503499 Condenser w/o Drier	24 Volt
503604 Condenser WA320-3	24 Volt
503629 Condenser Komatsu PC300	24 Volt
503631 Condenser Komatsu PC400	24 Volt
503666 Condenser WA420/450	24 Volt
503667 Condenser WA380-3	24 Volt
503835 Condenser Komatsu Excavator	24 Volt
503836 Condenser Komatsu WL	24 Volt
503845 Condenser Komatsu WA250-3	24 Volt
1610	Optional Mounting Kit

The 8210 Electric Condenser offers large BTU capacity in a small package. Designed to be compartment mounted, it gives an O.E.M. appearance. Compartment mounting offers a secure location away from damage, debris or vandalism.

The variable mounting and capacity of this condenser combine to offer great flexibility in a remote mount condenser.



Capacity (BTU/H)

503381	30,500
503295	30,750

Airflow (SCFM)

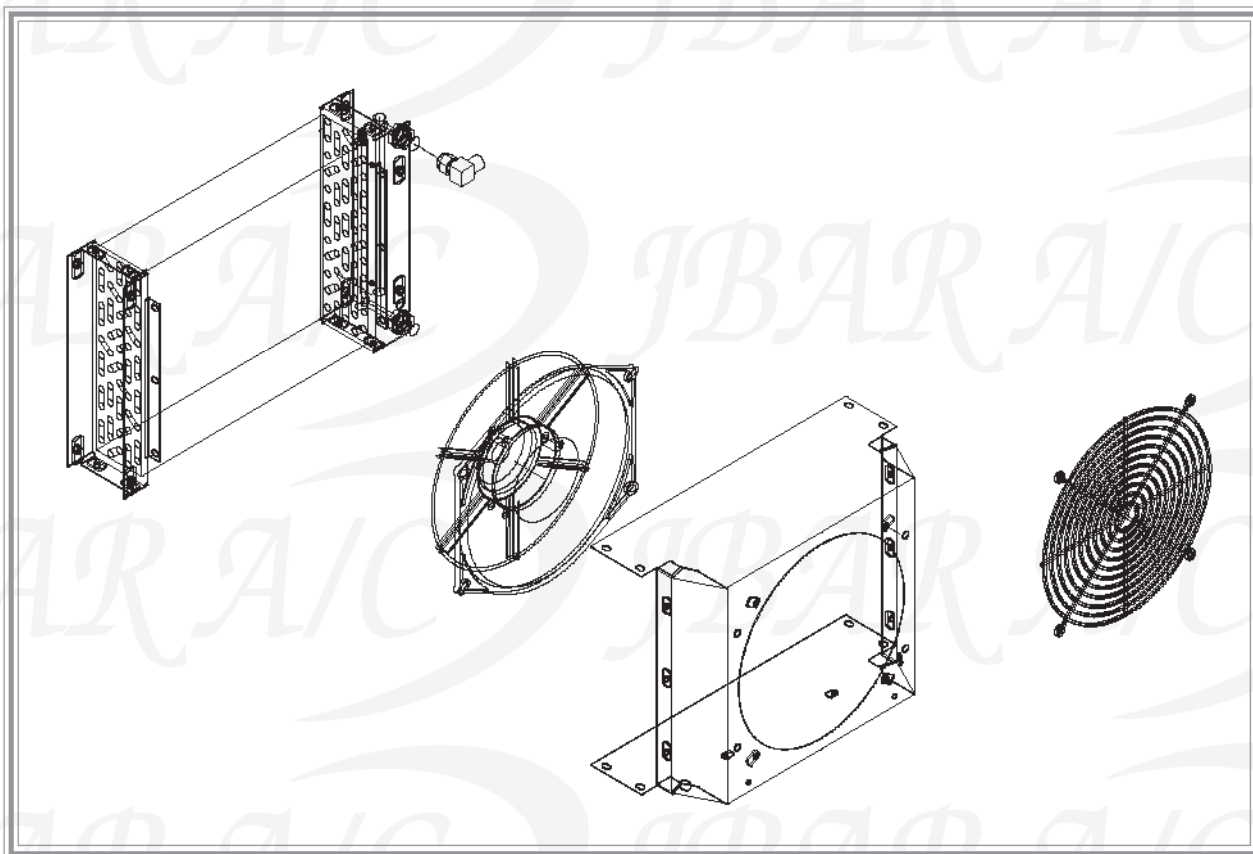
503381	750
503295	775

Weight (Lbs.)

503381	30
503295	30

Max. Current (A)

503381 @13.5VDC	18.0
503295 @27.0VDC	9.0

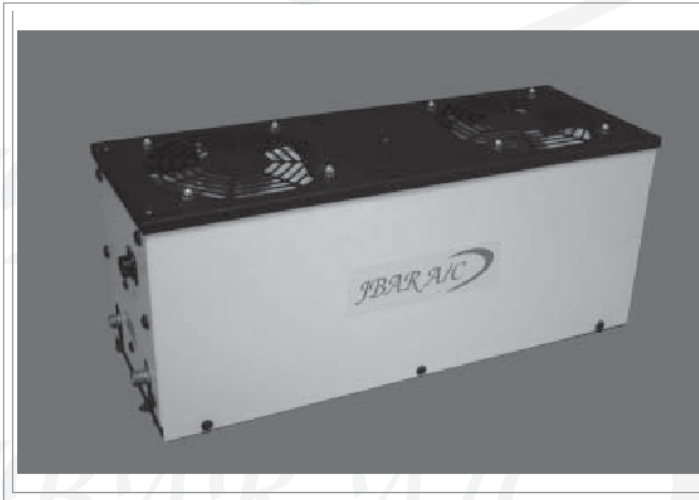


ITEM	PART #	DESCRIPTION
1	405107	FINGER GUARD
2	202314	HOUSING
3	405067	CONDENSER COIL
4	450610	FAN, 12V
	450713	FAN, 24V

ITEMS NOT SHOWN

5	420141	* WIRE HARNESS
---	--------	----------------

"OLD STEADY"

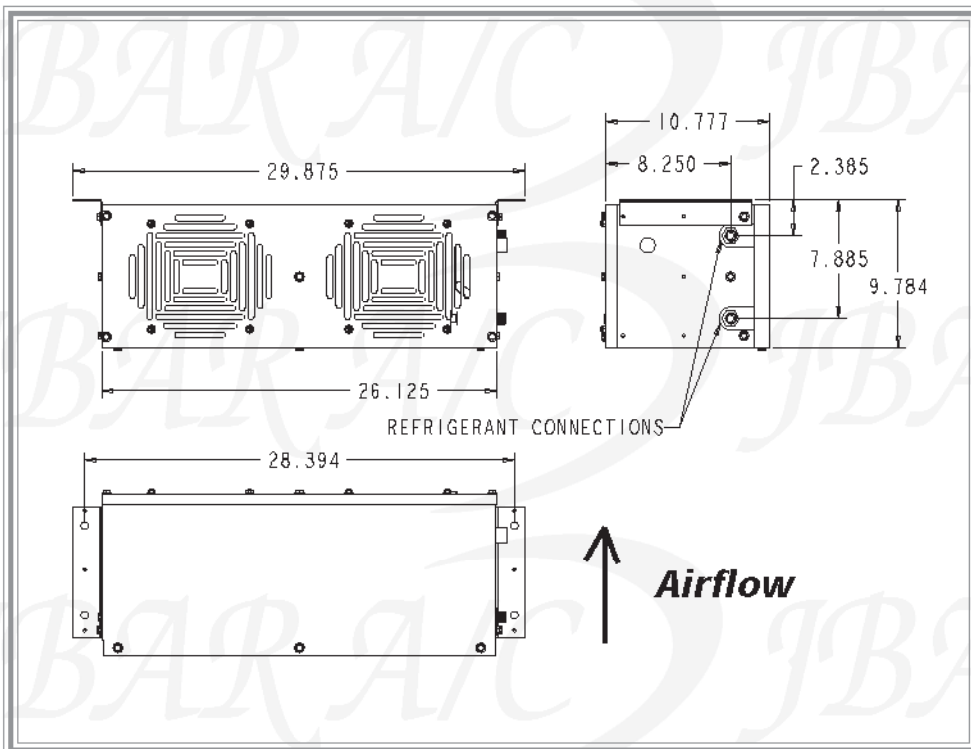


Models available...

500523 Condenser w/o Drier	12 Volt
500534 Condenser w/o Drier	24 Volt
1311 Mounting Bracket (24")	
1313 Mounting Bracket (36")	

The Model 8220 Electric Condenser with its large capacity makes it the choice for the most demanding applications. Now in Optical White to give a fresh, clean look to the installation.

The optional mount kit gives it flexibility unsurpassed in the off-highway market. Heavy gauge metal and welded construction offers years of reliable service.



Capacity (BTU/H)

500523	29,500
500534	29,750

Airflow (SCFM)

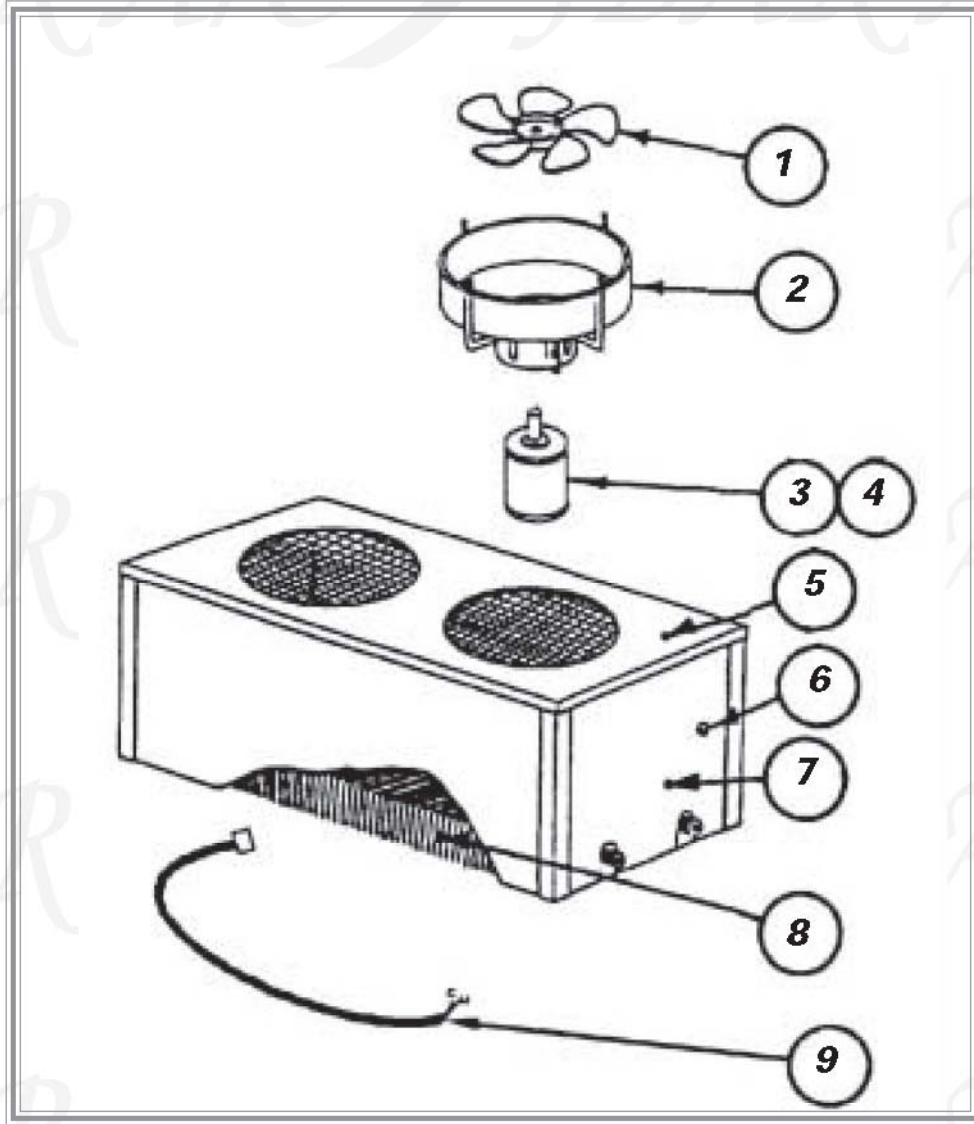
500523	720
500534	735

Weight (Lbs.)

500523	46
500534	46

Max. Current (A)

500523 @13.5VDC	18.0
500534 @27.0VDC	9.0



ITEM	PART #	DESCRIPTION
1	400516	Fan Blade
2	201308	Fan Motor Housing
3	450465	Fan Motor, 12V
4	450466	Fan Motor, 24V
5	101391	Cover

ITEM	PART #	DESCRIPTION
6	420233	Internal Wire Harness
7	200839	Housing
8	401991	Condenser Coil
9	420234	External Wire Harness

ITEMS NOT SHOWN

10	200786	Bottom Screen
11	201266	Channel for Coil Headers

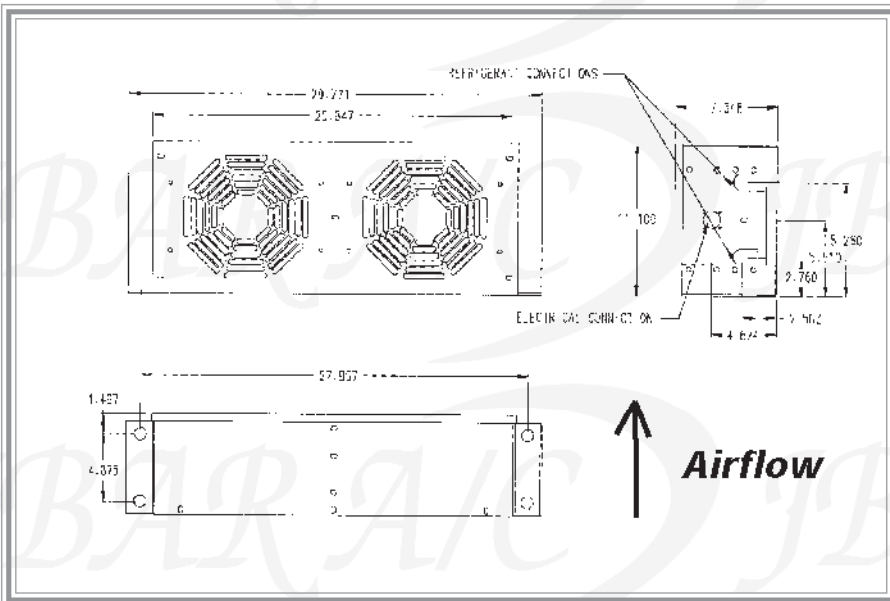
"KICK BUTT PERFORMANCE"



Models available...

502925	Condenser w/o Drier	12 Volt
502926	Condenser w/o Drier	24 Volt

The 8225 Electric Condenser offers high capacity fans, with heavy duty 16 gauge construction. The 8225 can be mounted 3 different ways: vertically, overhanging cab, or flush mounted in the hood. The low profile design offers flexible mounting applications for the 8225.



Capacity (BTU/H)

502925	35,500
502926	35,750

Airflow (SCFM)

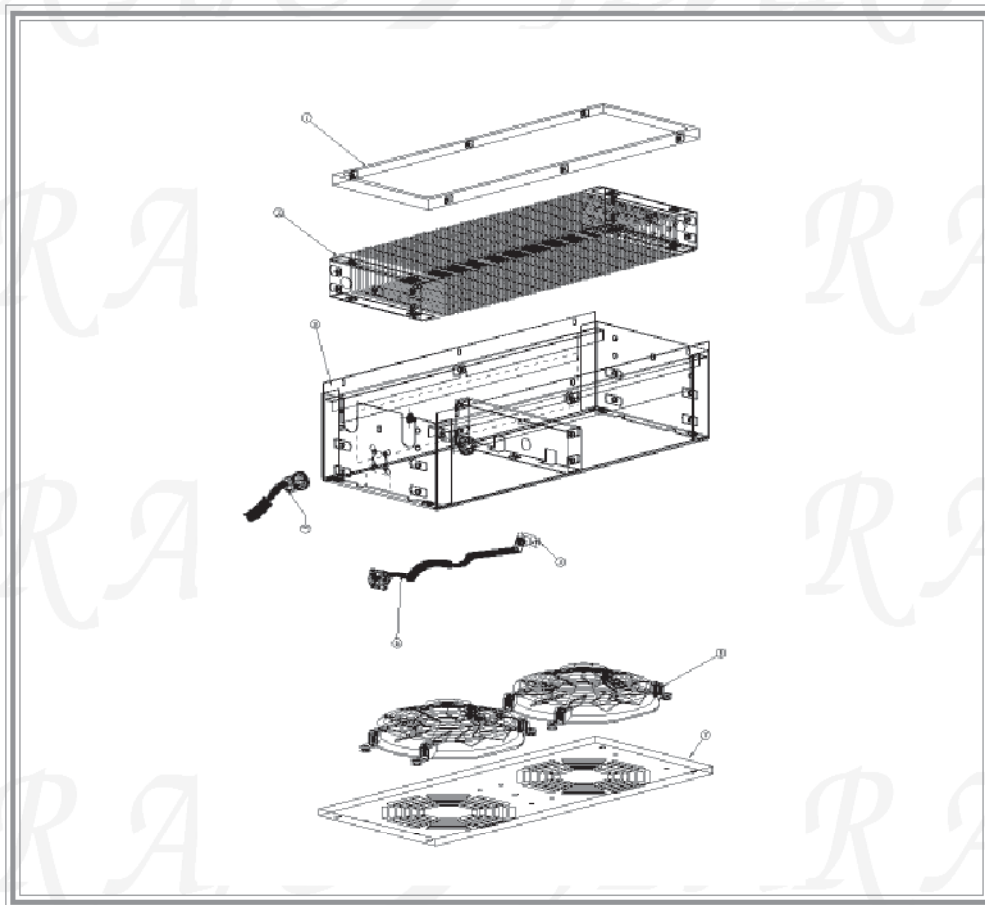
502925	900
502926	915

Weight (Lbs.)

502925	50
502926	50

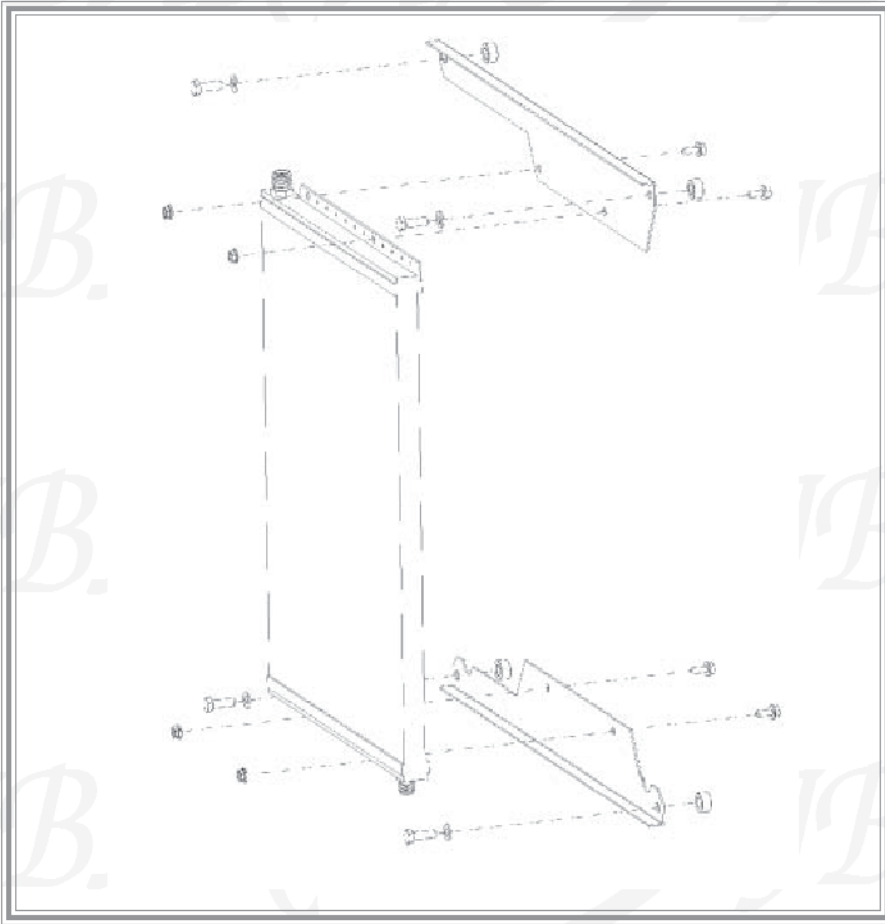
Max. Current (A)

502925 @13.0VDC	10.5
502926 @27.0VDC	5.5



ITEM	PART #	DESCRIPTION
1	202164	SCREEN, WELDMENT
2	401991	COIL, CONDENSER
3	202227	HOUSING
4	403166	GROMMET
5	420233	WIRE HARNESS - INTERNAL
6	450541	FAN ASSY 9" PUSHER 24V
	450542	FAN ASSY 9" PUSHER 12V
7	102254	COVER-TOP
8	420234	WIRE HARNESS - EXTERNAL

CONDENSER KITS



We offer Radiator Mounted Condenser Kits in customized and universal mounting applications. Contact us for information on a radiator mounted condenser for your specific application.

Our radiator mounted condenser kits are available for many applications. The condenser coil is installed in front of the radiator core, as long as the radiator fan pulls air from outside the engine compartment and the O.E.M. system was designed to have the condenser installed in front of the radiator. Many condensers are designed to mount directly to the O.E.M. radiator.

Brackets are furnished in kits to adapt condensers for universal mounting.

- Coils are leak tested at the factory.
- Heavy duty coil mounting brackets

FILTRATION KITS

EE425BX

Pressurizer/Filter Assembly



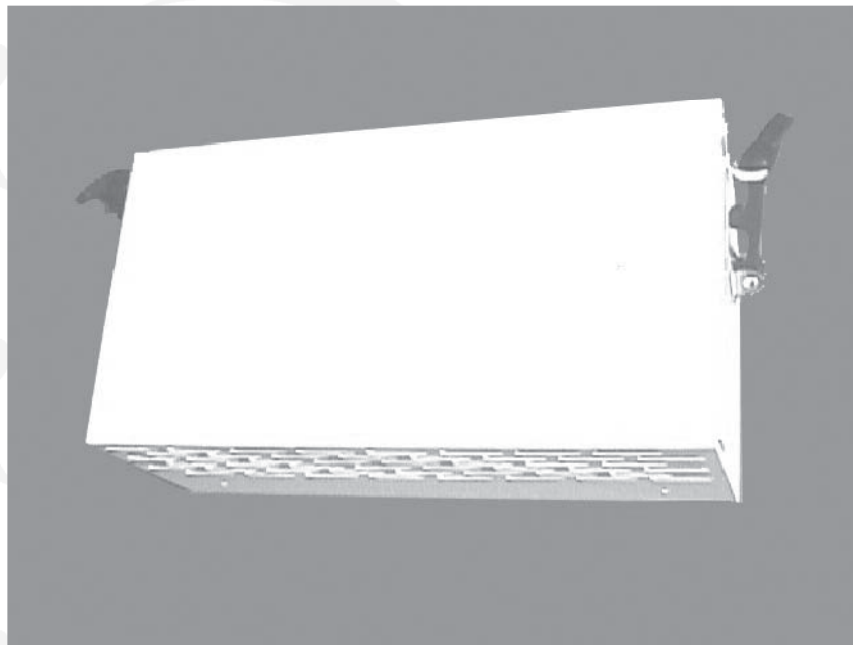
30"w x 19"h x 8.3"d

10 Micron Filter

Three Speed Blower

EE425BX-12 12V

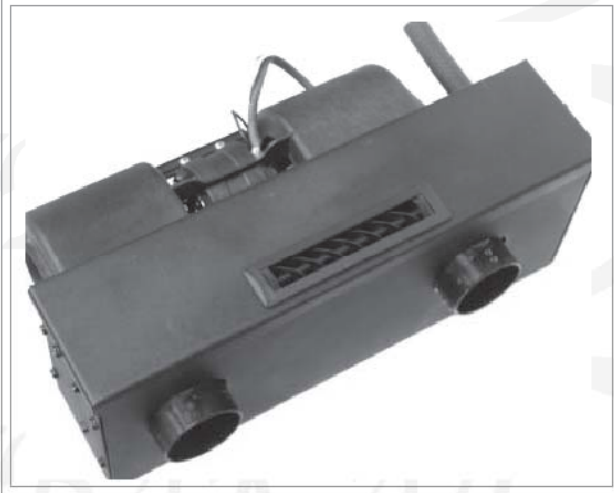
EE425BX-24 24V



503956

15.5" w X 8.5"d X 6"h

EE700



Size : 16.5w x 6.5h x 9d

	BTU/Hr	SCFM
EE700-2-12	28,101	300
EE700-2-24	28,500	315

Models available...

EE700-2-12	Three Speed 12 Volt
EE700-2-24	Three Speed 24 Volt

EE701



Size : 20.5w x 6.5h x 9d

	BTU/Hr	SCFM
EE701-2-12	28,100	300
EE701-2-24	28,500	315

Models available...

EE701-2-12	Three Speed 12 Volt
EE701-2-24	Three Speed 24 Volt

EE702



Size : 16.5w x 6.25h x 7d

	BTU/Hr	SCFM
EE702-2-12	28,000	300
EE702-2-24	28,500	315

Models available...

EE702-2-12	Three Speed 12 Volt
EE702-2-24	Three Speed 24 Volt

EE710



Size : 11w x 12h x 13d

	BTU/Hr	SCFM
EE710-2-12	45,000	400
EE710-2-24	45,000	400

Models available...

EE710-2-12	Single Speed 12 Volt
EE710-2-24	Single Speed 24 Volt
EE710-3-12	Three Speed 12 Volt
EE710-3-24	Three Speed 24 Volt

EE715



Size : 11w x 12h x 10d

	BTU/Hr	SCFM
EE715-2-12	45,000	400
EE715-2-24	45,000	400

Models available...
 EE715-2-12 Single Speed 12 Volt
 EE715-2-24 Single Speed 24 Volt

EE720



Size : 21w x 8h x 10.5d

	BTU/Hr	SCFM
EE720-2-12	35,000	300
EE720-2-24	35,000	300

Models available...
 EE720-2-12 Three Speed 12 Volt
 EE720-2-24 Three Speed 24 Volt

EE730/EE731



Size : 9.5w x 6.5h x 8.8d

	BTU/Hr	SCFM
EE730-2-12	14,500	170
EE730-2-24	14,500	170

Models available...
 EE730-2-12 or -24 3 Sp. 12/24 V - GRILLE
 EE731-2-24 or -24 2 Sp. 12/24 V - 2 LOUVER

EE740/EE741/EE742



Size : 15.9w x 7.0h x 8.8d

	BTU/Hr	SCFM
EE740-2-12	28,101	300
EE740-2-24	28,500	315

Models available...
 EE740-2-12 or -24 3 Sp. 12/24 V - GRILLE
 EE741-2-12 or -24 2 Sp. 12/24 V - 3 LOUVER
 EE742-2-12 or -24 2 Sp. 12/24 V - 4 LOUVER

M5000



Size : 7.3w x 6.8h x 6.8d

Heating (BTU/H)

M5000-12	12,500
M5000-24	12,500

Airflow (SCFM) & Amps

M5000-12	130	1.5 A
M5000-24	130	0.75 A

M6000



Size : 7.5w x 7.5h x 7.1d

Heating (BTU/H)

M6000-12	15,000
M6000-24	15,000

Airflow (SCFM) & Amps

M6000-12	140	1.5 A
M6000-24	140	0.75 A

M6500



Size : 11.6w x 10h x 5d

Heating (BTU/H)

M6500-12	20,000
M6500-24	20,000

Airflow (SCFM) & Amps

M6500-12	170	5.0 A
M6500-24	170	2.5 A

M8000



Size : 8.3w x 8.5h x 8.1d

Heating (BTU/H)

M8000-12	20,000
M8000-24	20,000

Airflow (SCFM) & Amps

M8000-12	250	5.0 A
M8000-24	250	2.5 A

AIRTRONIC



AIRTRONIC 2 7,500 BTU
AIRTRONIC 4 13,500 BTU

HYDRONIC



GASOLINE COOLANT HEATERS

HYDRONIC B4 SC 13,700 BTU
HYDRONIC B5SC 17,100 BTU
HYDRONIC B5 S 17,100BTU

DIESEL COOLANT HEATERS

HYDRONIC D4 SC 13,700 BTU
HYDRONIC D5 SC 17,100 BTU
HYDRONIC D5 S 17,100 BTU
HYDRONIC 5 Z 17,100 BTU
HYDRONIC 10 32,400 BTU
HYDRONIC 16 55,000 BTU
HYDRONIC 24 82,000 BTU
HYDRONIC 30 102,000 BTU
HYDRONIC 35 120,000 BTU

D5LC

D8LC



D5LC

18,800 BTU

D8LC

27,300 BTU

7 DAY TIMER



WWW.ESPAR.COM

Hydraulic Compressor Model 9811

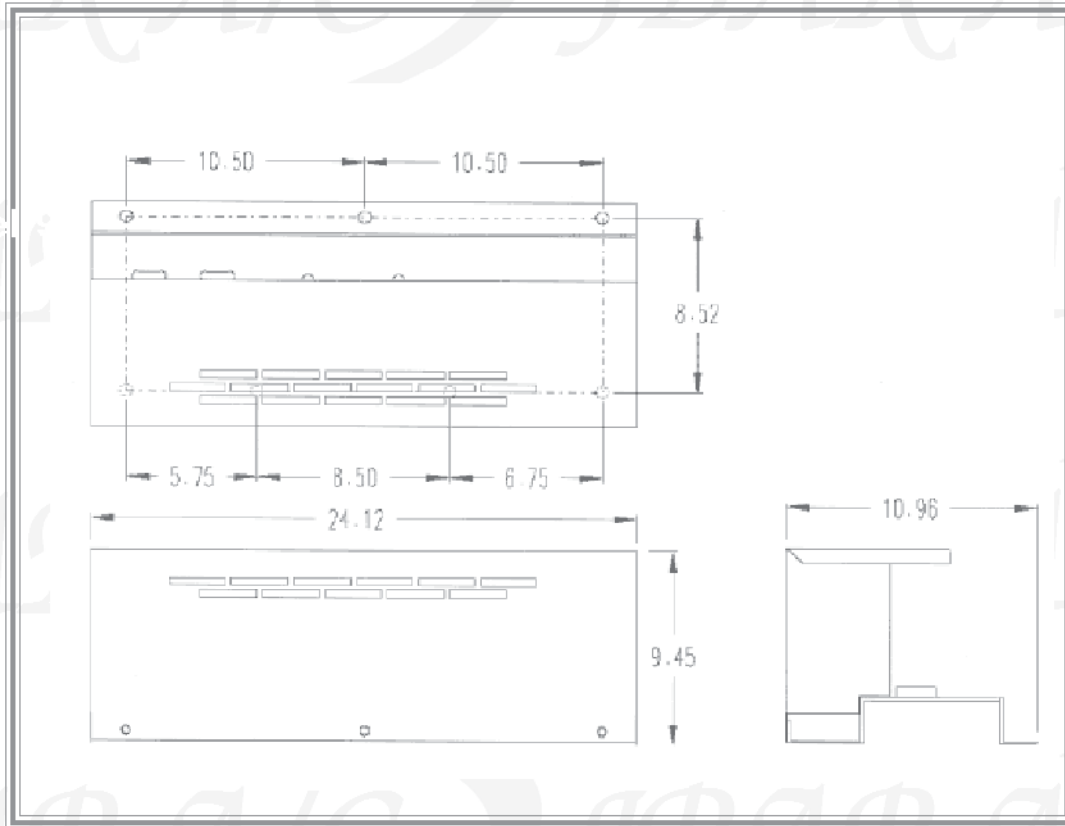
"COPIED, BUT NEVER BEEN BETTER"



The Model 9811 is designed for machines where engine compressor mounting proves to be impossible. The hydraulic drive offers a smooth belt drive operation in a compact design, with a removable belt and pulley shield. The hydraulic motor can be matched to the G.P.M. available on the machine.

MODEL 9811

Item #	Motor# Description	Gear	Max Cont Pressure
	406250 MODEL 9811 HYD A/C ONLY 12V 3-6 GPM		
502968	404921 MODEL 9811 HYD A/C ONLY 12V 6-10 GPM	3/4"	3500
503349	404899 MODEL 9811 HYD A/C ONLY 12V 11-15 GPM	1"	3500
503350	404957 MODEL 9811 HYD A/C ONLY 12V 16-20 GPM	1 1/4"	3500
503049	404958 MODEL 9811 HYD A/C ONLY 12V 21-25 GPM	1 1/2"	3300
503241	MODEL 9811 HYD A/C ONLY 12V 26-30 GPM	1 3/4"	2500
503342	MODEL 9811 HYD A/C ONLY 12V 31-35 GPM	3/4"	2250
	406250 MODEL 9811 HYD A/C ONLY 24V 3-6 GPM		
503203	MODEL 9811 HYD A/C ONLY 24V 6-10 GPM	1"	3500
503353	MODEL 9811 HYD A/C ONLY 24V 11-15 GPM	1 1/4"	3500
503354	MODEL 9811 HYD A/C ONLY 24V 16-20 GPM	1 1/2"	3500
503204	MODEL 9811 HYD A/C ONLY 24V 21-25 GPM	1 1/2"	3300
503242	MODEL 9811 HYD A/C ONLY 24V 26-30 GPM	1 1/2"	2500
503343	MODEL 9811 HYD A/C ONLY 24V 31-35 GPM	1 3/4"	2250
503356	MODEL 9811 HYD A/C ONLY 24V 41-45 GPM	1"	2500
502665	MODEL 9811 HYD A/C ONLY 24V 46-50 GPM	1 1/4"	2500
502669	MODEL 9811 HYD A/C ONLY 24V 56-60 GPM	1 1/2"	2500
503974	MODEL 9811 HYD A/C ONLY 12V 10-16 GPM	SPECIAL PARKER MOTOR	

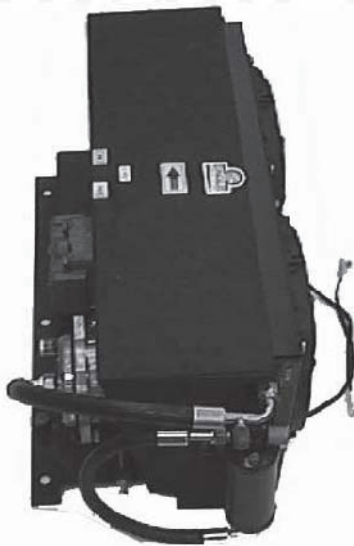


Weight:	175 - 210 lbs (As per motor size requirements)
Operating RPM	690 - 3500
Belt:	4L V-Belt
Operating Pressure	3500 psi Max
Hydraulic Drive Motor	Gear Type - Continuous Running
Current Draw :	12 V Clutch = 3.6A
	24 V Clutch = 1.8A

EE9812

EE9812

HYDRAULIC COMPRESSOR & ELECTRIC CONDENSER



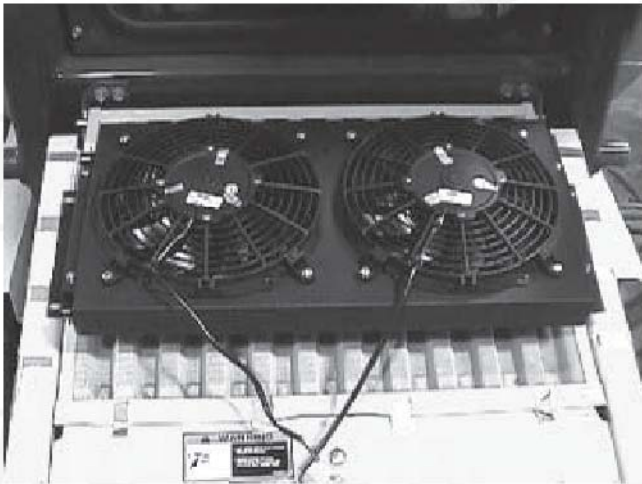
DIMS : 12.5"h X 29"w X 15"d

COMBINING THE MODEL 9811 HYDRAULIC COMPRESSOR SYSTEM WITH THE EE620 ELECTRIC CONDENSER MAKES FOR THE MOST COMPACT, HIGHEST PERFORMING HYDRAULIC SYSTEM IN THE MARKET.

MODEL EE9812

ITEM #	DESCRIPTION
EE9812-3-12	HYDRAULIC A/C ONLY W/CONDENSER 12V 3-6 GPM
EE9812-6-12	HYDRAULIC A/C ONLY W/CONDENSER 12V 6-10 GPM
EE9812-11-12	HYDRAULIC A/C ONLY W/CONDENSER 12V 11-15 GPM
EE9812-16-12	HYDRAULIC A/C ONLY W/CONDENSER 12V 16-20 GPM
EE9812-21-12	HYDRAULIC A/C ONLY W/CONDENSER 12V 21-25 GPM
EE9812-26-12	HYDRAULIC A/C ONLY W/CONDENSER 12V 26-30 GPM
EE9812-31-12	HYDRAULIC A/C ONLY W/CONDENSER 12V 31-35 GPM
EE9812-3-24	HYDRAULIC A/C ONLY W/CONDENSER 24V 3-6 GPM
EE9812-6-24	HYDRAULIC A/C ONLY W/CONDENSER 24V 6-10 GPM
EE9812-11-24	HYDRAULIC A/C ONLY W/CONDENSER 24V 11-15 GPM
EE9812-16-24	HYDRAULIC A/C ONLY W/CONDENSER 24V 16-20 GPM
EE9812-21-24	HYDRAULIC A/C ONLY W/CONDENSER 24V 21-25 GPM

NEW HOLLAND SKID STEER



952648	NH LS140,150,160,170 (SL), N844T,12 V X-CAB
952649	NH LS180 (SL), 332T,12 V X-CAB
952650	NH LS190 (SL), 450/NC,12 V X-CAB

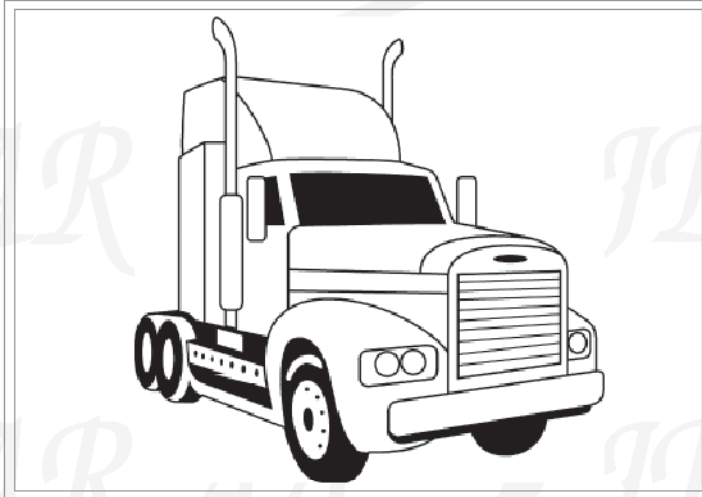
952668D



Volvo Compact Wheel Loader Models L20B and L25B now have the option for Air Conditioning. Using the under dash EE255 and the deck mounted EE630, operators will now have the ability to stay cool and refreshed in this pressurized cab system.



"THE BIG EASY"



TYPICAL APPLICATIONS
Medium & Heavy Duty Trucks

The Truck Kits were designed to offer an inexpensive way of providing air conditioning as an option with easy installations for over the road trucks. By bundling the system a distributor has an easy resale to their customers. We offer several different compressor mounts (sold separately) with the standard kits.

Kit #	Models available...	
1900	Consists of :	EE220-4-12 Backwall A/C Unit 406185 Multi Flow Condenser 1759 Condenser Mounting Brackets 69311B BURGA CLIP Installation Kit 405228 Sanden Compressor #6664 (4510)
1901	Same as above with CCI Compressor Kit	
1902	Same as 1900 with Standard Installation Kit	
COMPRESSOR MOUNTING KITS ARE UNIQUE FOR EACH VEHICLE		

OPTIONAL ACCESSORIES

OPTIONS FOR HVAC SYSTEMS

MODEL	DESCRIPTION	12 V - #	24 V - #
<i>EE100, EE110, 2890 OVERHEAD EVAPORATORS</i>			
	Heater Adaption Kit (2890 Only)	1522	1523
	Hose Guard Cover Kit (Overhead Universal)	1463	1463
	Outside Filter Kit	500616	500616
	Roll Bar Spacer Kit	1200	1200
EE100	Fresh Air Filtration Kit	1746	1746
<i>EE201, EE210, EE220, EE230 WALL MOUNTED EVAPORATORS</i>			
	Air Diverter Kit – Louver to Hose	1540	1540
EE201	Mounting Kit	1777	1777
	Outside Filter Kit	500616	500616
	Shock Mount Kit Corner Bracket	1172	1172
<i>COMPLETE ROOF TOP UNIT (EE400)</i>			
EE400	Outside Filter Kit	503956	503956
	Hydraulic Mounting Kit	1762	1762
<i>SKID STEER UNITS</i>			
EE1100	Gehl 4835 Conversion Kit	1764	1764
EE1120	Duct Kit	1763	1763
<i>ELECTRIC CONDENSERS (EE601,EE620,8210, 8220, & 8225)</i>			
EE601	Shock Mount Kit	1757	1757
EE620	Mounting Kit	1761	1761
8210	Mounting Kit	1610	1610
8220	Add On End Plate	1382	1382
	Overhang Brackets – Long Brackets	1313	1313
	Overhang Brackets – Short Brackets	1311	1311
	Rooftop – Long Brackets (High)	1411	1411
	Tree Guard	1155	1155
	Wrap Around Bracket (8220 Only)	1336	1336
8225	Flush Mount Bracket	1546	1546
	Overhang Bracket	1601	1601
	Surface Bracket	1600	1600
	Universal Mount Bracket	1544	1544

POPULAR KITS

PART #	DESCRIPTION
1155	TREE GUARD KIT, E.C.
1212	BLEEDER KIT - HYDRAULIC UNIT
1479	RECIRCULATION HOUSING-65069 EVAP KIT
1530	LOUVER-SWITCH ADAPTER KIT
1746	KIT, EE100, REAR FRESH AIR INTAKE
1754	KIT,O-RING SERVICE,#6-#8-#10 HNBR
1756	KIT,COMPRESSOR MOUNT IH 444E W/O AB
1757	KIT,SHOCK MOUNT (CONTAINS 4)
1759	KIT,COND MOUNT,UNIVERSAL,STD DUTY
1760	KIT,RECEIVER/DRIER MOUNT BRACKET
1761	KIT,MODEL EE620 MOUNT BRACKETS
1763	KIT,DUCT,2-1/2" FLEX HOSE W/ LOUVERS
1765	KIT,MODEL EE1120 UNIVERSAL MOUNT KIT
1766	KIT,BLOCK VALVE FITTING EXTENSIONS
1767	KIT,CONTROLS,W/ CABLE VLV,FAN/AC/HT
1769	KIT, EC MOUNT, EE620 ON CAT SKID STEER
1773	KIT,HEATER VALVE,ELECTRONIC SHUTOFF 12V
1774	KIT,HEATER VALVE,ELECTRONIC SHUTOFF 24V
1775	KIT,CONDENSER MOUNTING
1777	KIT,MODEL EE201 MOUNTING BRACKETS
1778	KIT,CONTROLS,W/ ELECT VLV,FAN/AC/HT,12V
1779	KIT,CONTROLS,W/ CABLE VLV,FAN/HT
1780	KIT,CONTROLS,W/ ELECT VLV,FAN/HT,12V
1783	KIT,DUCT-CONTROL FOR EE320
1784	KIT,FRESH AIR,2-1/2" DUCT,2-3/4 X 6-1/2"
1785	KIT,ELECT WTR VLV,12V,W/ HARNESS,W/ POT
1786	KIT,ELECT WTR VLV,24V,W/ HARNESS,W/ POT
1787	KIT,CONTROLS,W/ ELECT VLV,FAN/AC/HT,24V
1788	KIT,CONTROLS,W/ ELECT VLV,FAN/HT,24V
1789	COMP KIT, SANDEN SD7 FLX 125 2AG 12V HOR
1790	COMP KIT, SANDEN SD7 FLX 125 2AG 24V HOR
1791	COMP KIT, SANDEN SD7H15 FLX 125 2AG 12V
1792	COMP KIT, SANDEN SD7 FLX 125 2AG 24V vOR
1794	KIT,MODEL EE620 MOUNT BRK'IS,NON-ANGLED
1796	KIT,O-RING SERVICE,#6-#8-#10-#12 HNBR

REPLACEMENT PARTS

UNIT MODEL	UNIT DESCRIPTION	BLOWER MOTOR		BLOWER ASSY		EXP. VALVE	HEATER VALVE	
		12V	24V	12V	24V		12V	24V
EE100	Compact Overhead	-	-	405843	405842	405017	405841	405841
EE110	Overhead A/C-Heater	-	-	405844	405833	405018	450794	450794
EE200*	Compact Wall Mount	-	-	405843	405842	405017	450748	450748
EE201	Compact Wall Mount	-	-	405843	405842	405017	450748	450748
EE210	Wall Mount A/C-Heater	-	-	405844	405833	405017	450748	450748
EE220	Back Wall Mount	-	-	450762	450761	405017	-	-
EE230	Wall Mount A/C-Heater	-	-	405844	405833	405017	External	External
EE255	Volvo L20B-L25B	-	-	405843	-	OrificeTube	-	-
EE300	Floor Mount PC Plus	-	404825	-	450747	405018	-	405841
EE320	Floor Mount PC Plus	-	-	405844	405833	405017	-	-
EE400	Heavy Duty Roof Top	-	-	405844	405833	405018	400449	400449
EE410*	Medium Duty Roof Top	-	-	405843	405842	405018	-	-
EE601	"EDGE" Electric Condenser	-	-	-	-	-	-	-
EE605	"TWIN EDGE" Electric Condenser	-	-	-	-	-	-	-
EE610	PC Plus Electric Condenser	-	-	-	-	-	-	-
EE620	"SLIM EDGE" Electric Condenser	-	-	-	-	-	-	-
EE630	"SLIM SINGLE" Electric Condenser	-	-	-	-	-	-	-
EE640	"THE BUS" Electric Condenser	-	-	-	-	-	-	-
EE700	Universal Heater	-	-	500972	500973	-	-	-
EE710	Universal Heater	-	-	450762	450761	-	-	-
EE720	Universal Heater	-	-	405844	405833	-	-	-
EE1100/1105	Gehl Skid Steer A/C Unit	-	-	450762	-	405017	-	-
EE1120 / 1125	Skid Steer Shelf Mount	-	-	405843	405842	405017	External	External
EE1705	Compact A/C Only	-	-	500972	500973	405017	-	-
1000*	Universal Heater	-	-	450494	450495	-	-	-
2890	Overhead A/C-Heater	450657	450656	500972	500973	404893	402971	402937
3270*	Overhead A/C-Heater	450514	450517	502589	502773	404893	400449	400449
4080	Wall Mount A/C-Heater	450657	450656	500972	500973	404882	450483	450484
5070	Underseat A/C-Heater	-	-	405844	405833	405017	External	External
8210	Electric Condenser - Single Fan	-	-	-	-	-	-	-
8220	Standard Electric Condenser	-	-	-	-	-	-	-
8225	Heavy Duty Electric Condenser	-	-	-	-	-	-	-
EE9812	Hydraulic Compressor/Condenser	-	-	-	-	-	-	-

*PRODUCT HAS BEEN DISCONTINUED

REPLACEMENT PARTS

UNIT	UNIT	T-STAT	HEAT	EVAP	COND	CONDENSER MOTOR		
MODEL	DESCRIPTION	FILTER	SWITCH	COIL	COIL	COIL	12V	24V
EE100	Compact Overhead	406241	402284	405808	405807	-	-	-
EE110	Overhead A/C-Heater	110509	404968	406402	406401	-	-	-
EE200*	Compact Wall Mount	406238	404968	405851	405850	-	-	-
EE201	Compact Wall Mount	110497	404968	406346	406345	-	-	-
EE210	Wall Mount A/C-Heater	110520	404968	406429	406428	-	-	-
EE220	Back Wall Mount	-	402284	-	406010	-	-	-
EE230	Wall Mount A/C-Heater	-	404468	406434	406433	-	-	-
EE255	Volvo L20B-L25B	110527	404968	406442	406441	-	-	-
EE300	Floor Mount PC Plus	406244	404968	405789	405788	-	-	-
EE320	Floor Mount PC Plus	110484	404968	406248	406247	-	-	-
EE400	Heavy Duty Roof Top	406242	405098	405839	405838	405840	450727	450754
EE410*	Medium Duty Roof Top	110436	402284	-	405884	405883	450727	450754
EE601	"EDGE" Electric Condenser	-	-	-	-	405816	450727	450754
EE605	"TWIN EDGE" Electric Condenser	-	-	-	-	405816	450809	450810(Fan)
EE610	PC Plus Electric Condenser	-	-	-	-	405786	406060	405831 (Fan)
EE620	"SLIM EDGE" Electric Condenser	-	-	-	-	406185	406060	405832
EE630	"SLIM SINGLE" Electric Condenser	-	-	-	-	450799	406519	406520
EE640	"THE BUS" Electric Condenser	-	-	-	-	-	406060	405832
EE700	Universal Heater	-	-	406190	-	-	-	-
EE710	Universal Heater	-	-	405454	-	-	-	-
EE720	Universal Heater	-	-	405300	-	-	-	-
EE1100/1105	Gehl Skid Steer A/C Unit	405806	404968	-	405772	-	-	-
EE1120 / 1125	Skid Steer Shelf Mount	110485	404968	406190	406128	-	-	-
EE1705	Compact A/C Only	-	404968	406190	406128	-	-	-
1000*	Universal Heater	-	-	404563	-	-	-	-
2890	Overhead A/C-Heater	402332	405098	403039(HVAC)		404894(A/C)-		-
3270*	Overhead A/C-Heater	400541	402284	400605	400544	-	-	-
4080	Wall Mount A/C-Heater	400204	402284	403416	403416	-	-	-
5070	Underseat A/C-Heater	402332	404968	405607	405608	-	-	-
8210	Electric Condenser - Single Fan	-	-	-	-	405067	450610	450713 (FAN)
8220	Standard Electric Condenser	-	-	-	-	401991	450465	450466
8225	Heavy Duty Electric Condenser	-	-	-	-	401991	450542	450541
EE9812	Hydraulic Compressor/Condenser	-	-	-	-	406185	405060	405832

*PRODUCT HAS BEEN DISCONTINUED

POPULAR BUNDLES (Complete A/C Install Kits)

#	Description	#	Description
980061	BOBCAT 331 (EX) V2203B KUBOTA DSL	952666	GEHL CTL70,ISUZU 4JG1TABGA ENGINE,12V,OE
961656A	CASE 1845C (SK) 4-390 CUMM	952663	GEHL CTL80 (SL),YANMAR 4TNV106T,12V,OEM
980137	CASE 580SL (BH) 4-390 CUMM X-CAB 24V	952665	GEHL CTL80(SL),YANMAR RTNV106T,12V,HIFLO
951766	CASE 590 (BH) 4-390 X-CAB	980443	HITACHI EX270 (EX) HO6CTI HINO X-CAB 24V
980132	CASE 821 (WL) 6T830 CUMMINS	980448	HITACHI EX300LC-3 (EX) 6SDITPD ISUZ
952007A	CASE 9030 (EX) 5.9 CUMM X-CAB 24V (SU)	952324	JD 310E,SE &410E (BH) 4045T SU 12V
980115	CASE 921 (WL) LTA10 CUMMINS	952324A	JD 310G,SG&315SG (BH) 4045D SU 12V
950935	CASE W-30 (WL) 504 CASE DSL	951582A	JD 444J (WL) 4045H,24V
950243	CAT 12G (G) 3306 X-CAB 24V (PU)	950897	JD 490 (EX) 4-239 DSL
950603	CAT 140G (G) 3306 X-CAB X-PRESS 24V (PU)	970575	JD 5200,5300,5400 (T) 3029 DSL
950226	CAT 16G (G) 3406 W/VAC GROOVE	951583	JD 544E (WL) 6-359 W/VAC GRV
980965A	CAT 318B (EX) 3046T CAT DSL	980542	JD 544G (WL) 6059T OR 359 JD DSL
952247	CAT 325BL (EX) 3116 X-CAB/BERG PRESS 24V	981006	JD 544H(WL),X-CAB,6068T,24V
951985	CAT 325L (EX) 3116 X-CAB 24V (SU)	981007	JD 624H (WL),X-CAB,6068H,24V
952085	CAT 325L (EX) 3116 X-CAB/BERG PRESS 24V	981007A	JD 624J(WL),X-CAB,6068H,24V
952085A	CAT 325L (EX) 3116 X-CAB/BERG PRESS 24V	951981A	JD 644G (WL) 6081 X-CAB/PRESS 24V (PU)
951990A	CAT 416B (BH) 3054 CAT/PERK X-CAB 12V SU	981002	JD 644H(WL),X-CAB,6081H,24V
952320	CAT 416C (BH) 3054 X-CAB 12V (SU)	980536	JD 690E (EX) 414 JD DSL
950446	CAT 637D (SC) 3408 CAT DSL	950209A	JD 850 (CW) 6-619 DSL HVAC
950943	CAT 773B (TRK) 3412 CAT DSL	951490	JD 850B (CW) 6-466 DSL X-CAB
952326	CAT 938G (WL) 3126 X-CAB SU 24V	980942A	JD 850C (DO) 6068 OR 414 JD DSL X-CAB
950482	CAT 953 (CL) 3204 CAT DSL X-CA	980581	KOBELCO SK120 (EX) 4BD1T MITS
952249	CAT 953B (CL) 3116 (HL) X-CAB 24V (PU)	980603	KOBELCO SK300LC MARK IV (EX) 6D22T
952249A	CAT 953B (CL) 3116 (HL) X-CAB 24V (PU)	952187A	KOMATSU PC200-250LC-6(EX)-SA6D95L-RAD
951730A	CAT 966G (WL) 3176 VAC GRV	952178A	KOMATSU PC200-250LC-6(EX)W/6BTA-RAD-COND
980163	CAT 980F & F SERIES II (WL) 3406 X-CAB	952681	KOMATSU PC200-300-7,SA6D104E-2
952092	CAT D30D (TRK) 3306 X-CB	952179A	KOMATSU PC300LC-6 (EX) CUMM-SER II X-CAB
961319	CAT D4H (CW) 3204 X-CAB	952228A	KOMATSU PC400-450LC-6 (EX)
951104A	CAT D7H (CW) 3306 VAC GRV 24V	952228	KOMATSU PC400-450LC-6 (EX) A/C UPGR
980962	CAT TH82 (MH) 3054T DSL	952274A	KOMATSU WA250-3 DENSO HTR
950960	CHAMPION 730A (G) 6CT 8.3	952167A	KOMATSU WA320-3 (WL) W/505T CUMMINS
952279	DRESSER 560C W/KTA1150 AC UPGRADE	952204	KOMATSU WA420-3 (WL) A/C UPGR 8.3 CUMM
950152A	EUCLID R35 (TRK) 24V-71 DET	952205	KOMATSU WA450-3 (WL) A/C UPGR LTA10 CUMM
961681A	FA 65E(G).CUMM QSB 4.5L,X-CAB,24V,(SU)	980614A	KOMATSU WA500-1L (WL) S6D140T DSL
950988A	FMC 2800 QUANTUM(EX) 6BD1T ISUZU	952648	NH LS140/150/160/170(SL),N844T,12V,X-CAB
950353A	FMC 3400 (EX) W/4-71 DETROIT DIESEL	981003	NH LW270(WL),X-CAB,CUMM QSM11 668T/M2
952673	GEHL CTL60,YANMAR 4TNV98-YTBL TIER 2	952668D	VOLVO L20B/L25B