

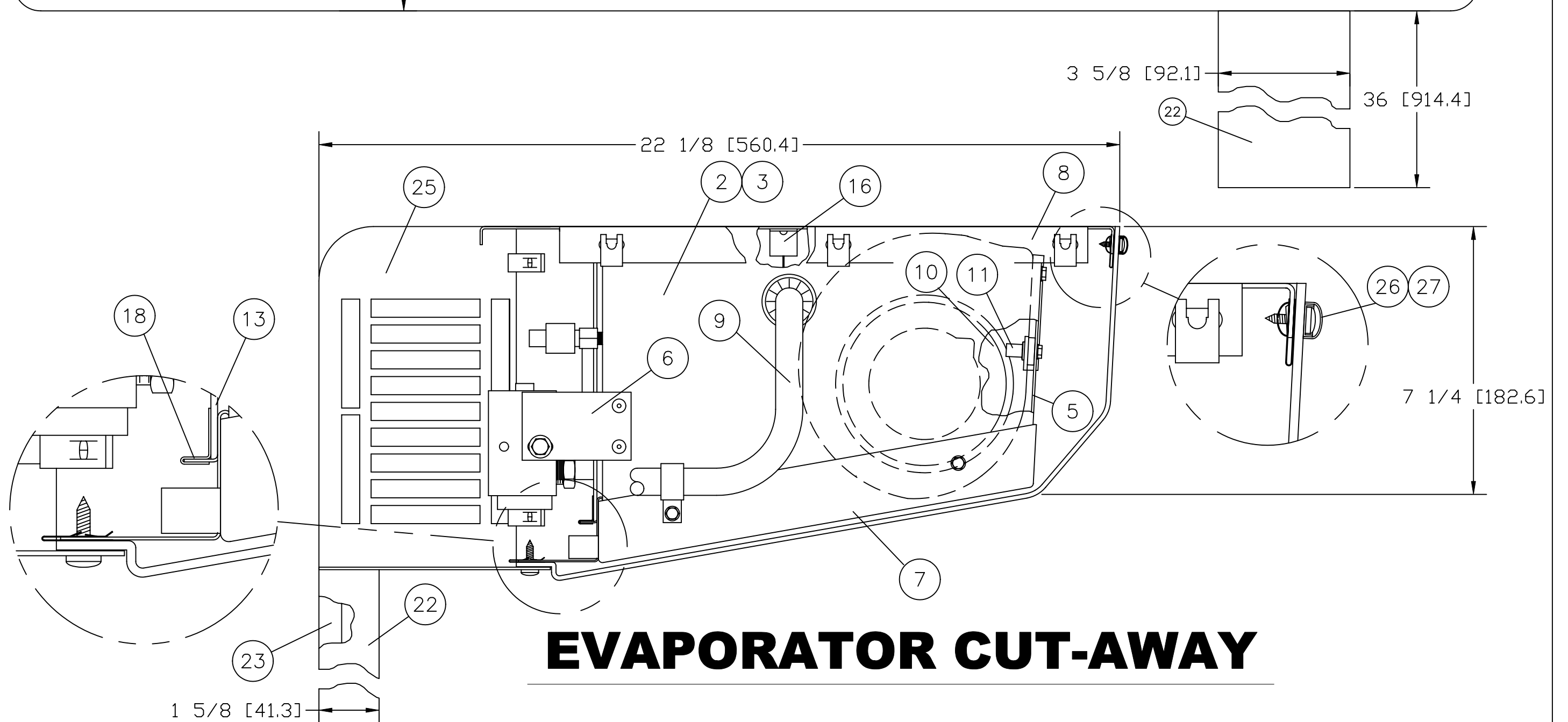
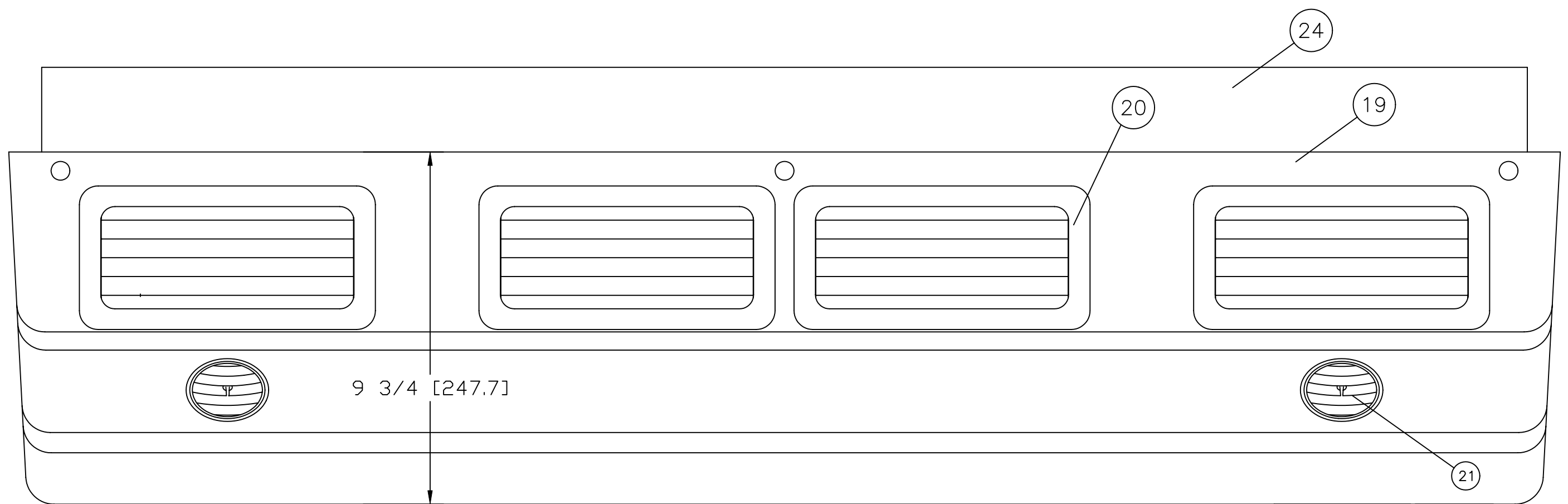
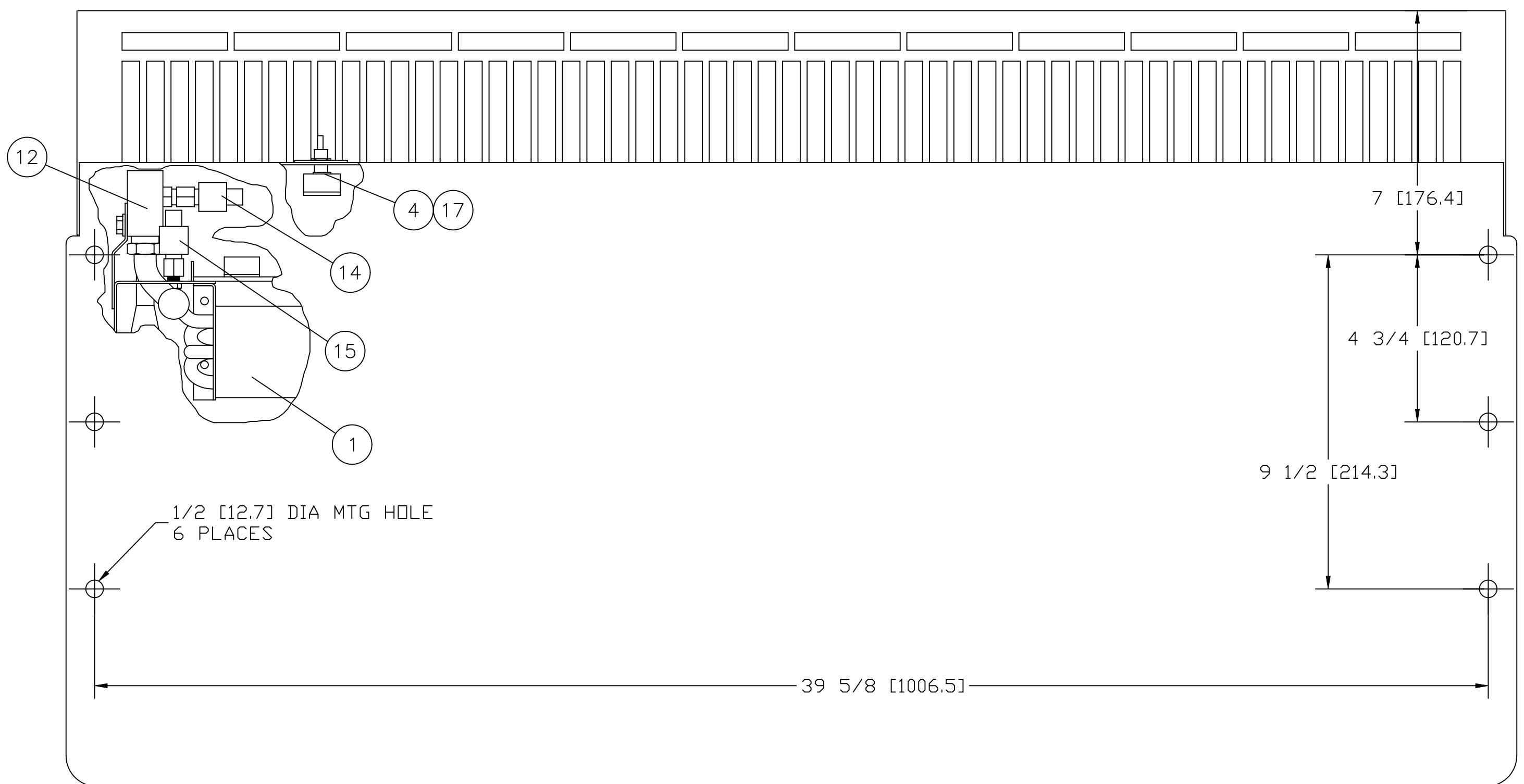
10/18/04

EZ-5 EVAPORATOR

ITEM	PART NUM	DESCRIPTION	QTY
1	EZC-001	COIL ASSEMBLY, EZ-4/5 EVAP	1
2	210-003	SIDE, RIGHT, EVAP	1
3	210-063	SIDE, LEFT, EVAP, TXV LOW	1
4	210-055	BRACKET, THERMOSTAT MOUNT	1
5	210-005-BK	BLOWER PLATE, BLOCK, EZ-5 EVAP	1
6	210-064	BRACKET, EXPANSION VALVE, EVAP TXV LOW	1
7	200-005	DRAIN PAN, EZ-4/5 EVAPORATOR, BLACK, INSULATED	1
8	210-065	TOP PLATE, EZ-4/5 NEW DESIGN TXV LOW	1
9	240-001	WIRING HARNESS ASSEMBLY, EZ-5 EVAPORATOR	1
10	BLW-206P	BLOWER ASSEMBLY, EVAPORATOR W/ #10-32 THREAD	2
		INSERT	
11	WLN1032	NUT, WELL, #10-32 (LARGE HEAD)	10
12	EXP-002	EXPANSION VALVE, BLOCK W/ HIGH SIDE PORT R-134A	1
13	FTR-001	FILTER, RETURN AIR 8 X 35-3/8 X 3/32	1
14	HPS-504-P	PRESSURE SWITCH, HIGH, 300-200 PSI	1
15	LPS-101-P	PRESSURE SWITCH, LOW 30-10 PSI	1
16	RES-400	RESISTOR, 1.8 OHM SURGE 4 PRONG	2
17	SWC-301	THERMOSTAT, ROTARY CONTROL	1
18	TCU003	CLIP, TINNEMAN, FILTER RETAINING	2
19	220-003-X	COVER,EZ-5 EVAP	1
		X= (W) WHITE,(G) GRAY,(B) BEIGE	
20	200-064	OUTLET AIR BEZEL, FIXED	2
	200-023	OUTLET AIR BEZEL, ADJUSTABLE (NOT SHOWN)	2
21	200-009	LOUVER, 2" DIA W/ SPRING CLIP	2
22	210-056-X	HOSE COVER, 36	2
		X= (W) WHITE,(G) GRAY,(B) BEIGE	
23	210-011	HOSE COVER, BACK, 36	2
24	210-057-X	TRIM STRIP, EZ-4/5 EVAP	1
24	210-068-X	TRIM STRIP, SIDE MOUNT,EZ-4/5 EVAP	1
		X= (W) WHITE,(G) GRAY,(B) BEIGE	
25	210-009-BK	GRILL, AIR INLET, BLACK, EZ-4/5, EVAP	1
	210-035-BK	GRILL, AIR INLET, SIDE MOUNT,BLACK, EZ-4/5, EVAP	1
26	CAP001-X	SNAP CAP	7
		X= (W) WHITE,(G) GRAY,(B) BEIGE	
27	WAPOO1	WASHER, SNAP CAP	7
28	200-216	MOUNTING CHANNEL (NOT SHOWN)	2
29	580-042	FUSE,TYPE MDL,15 AMPS,32 VOLTS	2
		1/4 DIA X 1 1/4 LG (NOT SHOWN)	

10/18/04

EZ-5 EVAPORATOR



EVAPORATOR CUT-AWAY