

ADVANCED BUS AIR CONDITIONING



EZ-3 EVAPORATOR

THE A.C.T. **EZ-3** EVAPORATOR IS DESIGNED FOR FREE-BLOW CEILING MOUNT APPLICATIONS (REAR, SIDE, OR FORWARD MOUNT). WE HAVE MANUFACTURED THIS EVAPORATOR SPECIFICALLY FOR THE TRANSPORTATION INDUSTRY.

IT'S ENHANCED PERFORMANCE, SERVICEABILITY, AND INSTALLATION EASE ARE THE RESULT OF MANY YEARS' EXPERIENCE IN THIS INDUSTRY.



ADVANCED FEATURES

- Unique Louver Design Enhances Airflow Throughout The Vehicle
- Pressure Switches Located At The Evaporator For Maximum Compressor Protection
- Internally Enhanced Rifled Copper Tubing Coils Increases System Performance
- 100 % O-Ring Connections For Maximum Leak Protection
- Low Profile Design For Added Headroom
- Super High Blower Speed As Standard Option
- Unitized Drain Pan Construction Eliminates Condensate Problems

OPTIONS

- Grey, White or Beige Cover
- Adjustable or Fixed Air Outlet Louvers
- Return Air Thermostat Maximizes Passenger Comfort
- 12 Volt or 24 Volt Motors

**2 YEAR
LIMITED WARRANTY**

SPECIFICATIONS

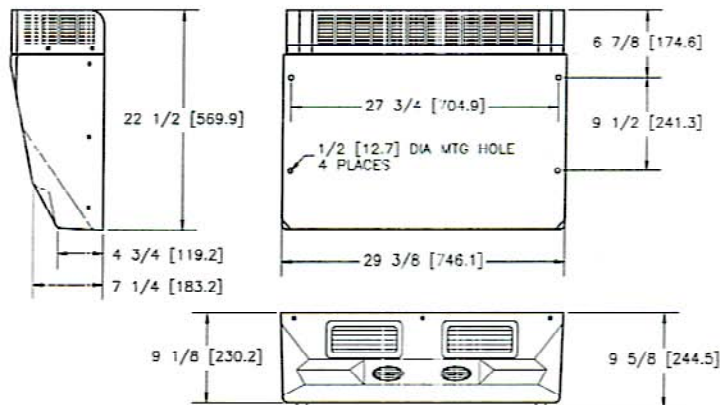
**COOLING CAPACITY: 35,000 Btu/Hr
(8,821 kcal)**

AIRFLOW: 700 cfm (1186 m³/hr)

**AMPERAGE DRAW: 15Amps @ 13.5 Volts
7.5 Amps @ 27 Volts**

WEIGHT: 37lbs.

FILTER: Cleanable Aluminum Mesh



Ross Air Works
www.rossairworks.com
800-290-9798